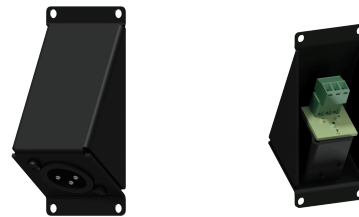


CASY 1 space angled with XLR male to 3-pin terminal block

Product information:

The CASY124 is a CASY module with a male XLR connector placed in an angle on the front side and a solderless terminal block on the backside. This flexible structure for system integration & connectivity can easily be implemented in a wide variety of CASY chassis.




Product Features:

Dimensions	1.40 x 3.23 " (W x H)	
Weight	0.17 lb	
Module	Space	1
Connection	XLR male (NAC3MAAV) to 3-pin terminal block	

Variants:

- CASY124/B - Black version

	<p>CASY124</p> <p>Weight: 76 g</p>	<p>Product description: CASY 1 SPACE ANGLED WITH XLR MALE TO 3-PIN TB</p> <p>Outer dimensions: (w x h x d) 35,5 x 82,1 x 38,4</p>	<p>Unit height: 2 HE</p>
	