

CASY 1 space with 2x XLR female to 3-pin terminal block

Highlights:

- 1.5 mm thick cold rolled steel frame
- Structured and scratch resistant black powder coating
- Assembly screws included
- Compatible with any CASY chassis
- XLR connectors by Neutrik
- Solderless connections
- Flexible system for system integration & connectivity

Product information:

The CASY125 is a CASY module with two female XLR connectors on the front side and solderless terminal blocks on the backside. This flexible structure for system integration & connectivity can easily be implemented in a wide variety of CASY chassis.

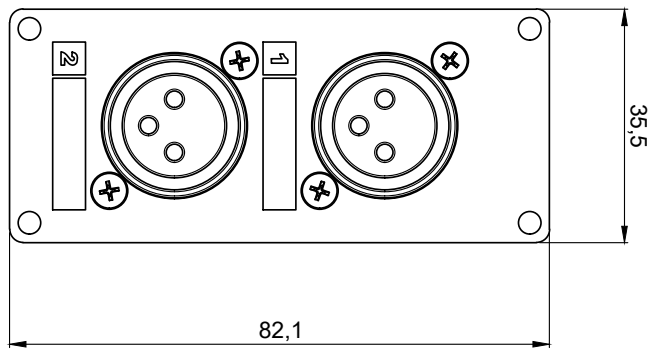



Product Features:

Dimensions	1.40 x 3.23 " (W x H)	
Weight	0.11 lb	
Connection	2 x XLR Female (NAC3FAAV) to 3-pin terminal block	
Module	Space	1

Variants:

- CASY125/B - Black version



	CASY125	Product description: CASY 1 SPACE WITH 2 X XLR FEMALE TO 3-PIN TB
	Weight: 50 g	Outer dimensions: (w x h x d) 35,5 x 82,1 x 47,7