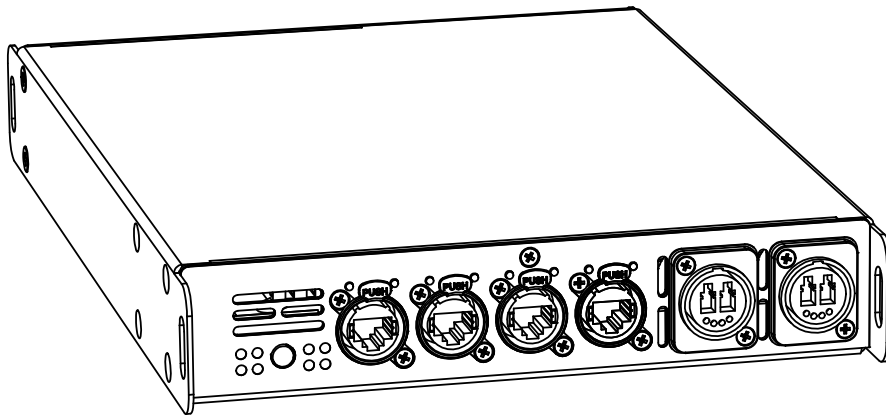


PART NUMBER:
LU 01 00058 YZA - GigaCore 10
LU 01 00058-POEYZA - GigaCore 10 with PoE

Gigabit Ethernet Switch



GigaCore 10



QUICK START GUIDE

The basic features for an easy set-up

Page intentionally left blank

WELCOME TO YOUR GIGACORE 10!

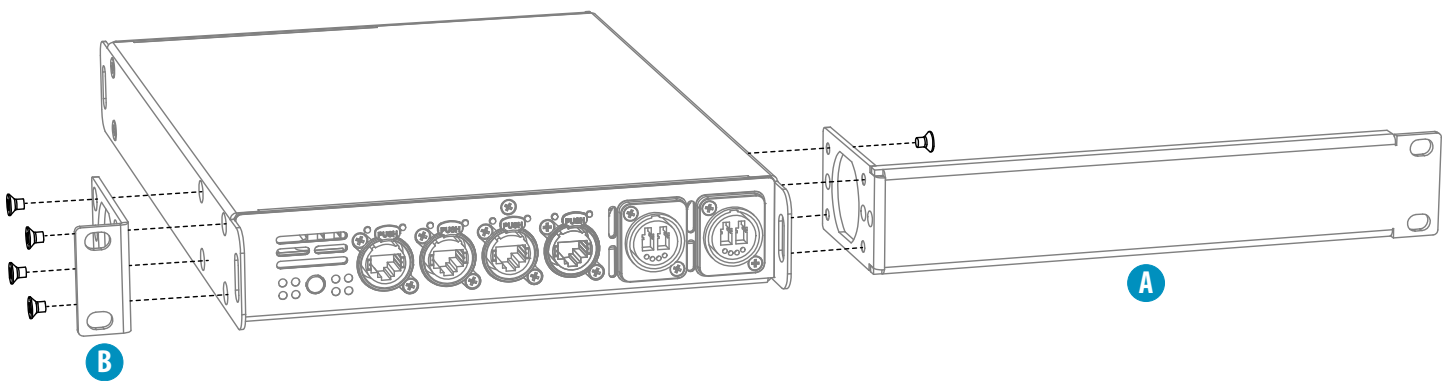
Congratulations, you managed to buy some of the latest high-end technologies in the entertainment industry. Now let's rock and roll! Read this quick start guide carefully to get familiar with the basic features of the GigaCore 10.

I. MOUNTING THE DEVICE

GigaCore 10 is a device that can be mounted in a truss as well as in a rack. Please read the following instructions to make sure the device is mounted and secured correctly.

1.1 RACK MOUNT

In case you want to mount your GigaCore 10 in a standard 19 inch rack, you first have to attach the included mounting ears. Connect the longest ear (A) to the right hand side of the device with 4 out of the 8 screws located on the sides of the product. Attach the shorter ear (B) to the left hand side with the 4 screws that are left. If needed, you can obviously reverse the mounting ears.

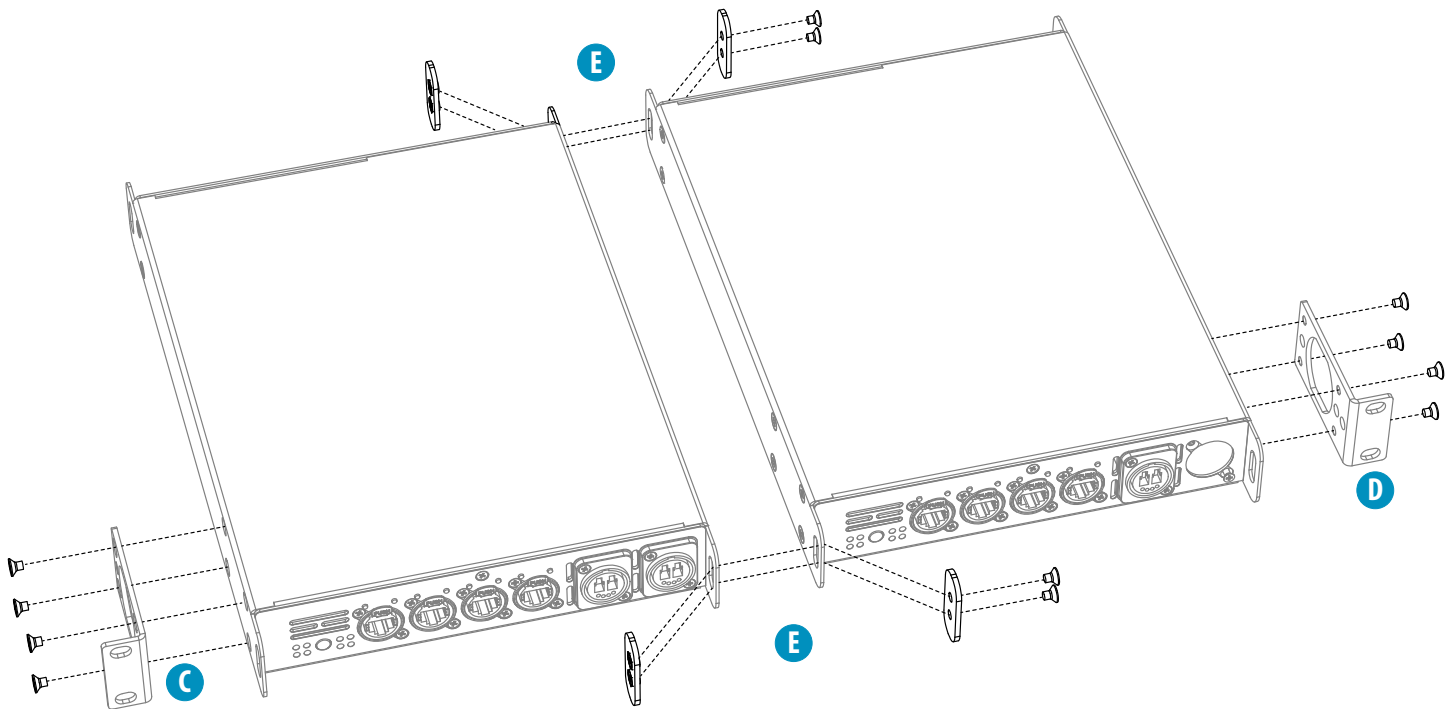


(Illustration 1: rack mounting)

1.2 RACK MOUNT - TWO DEVICES

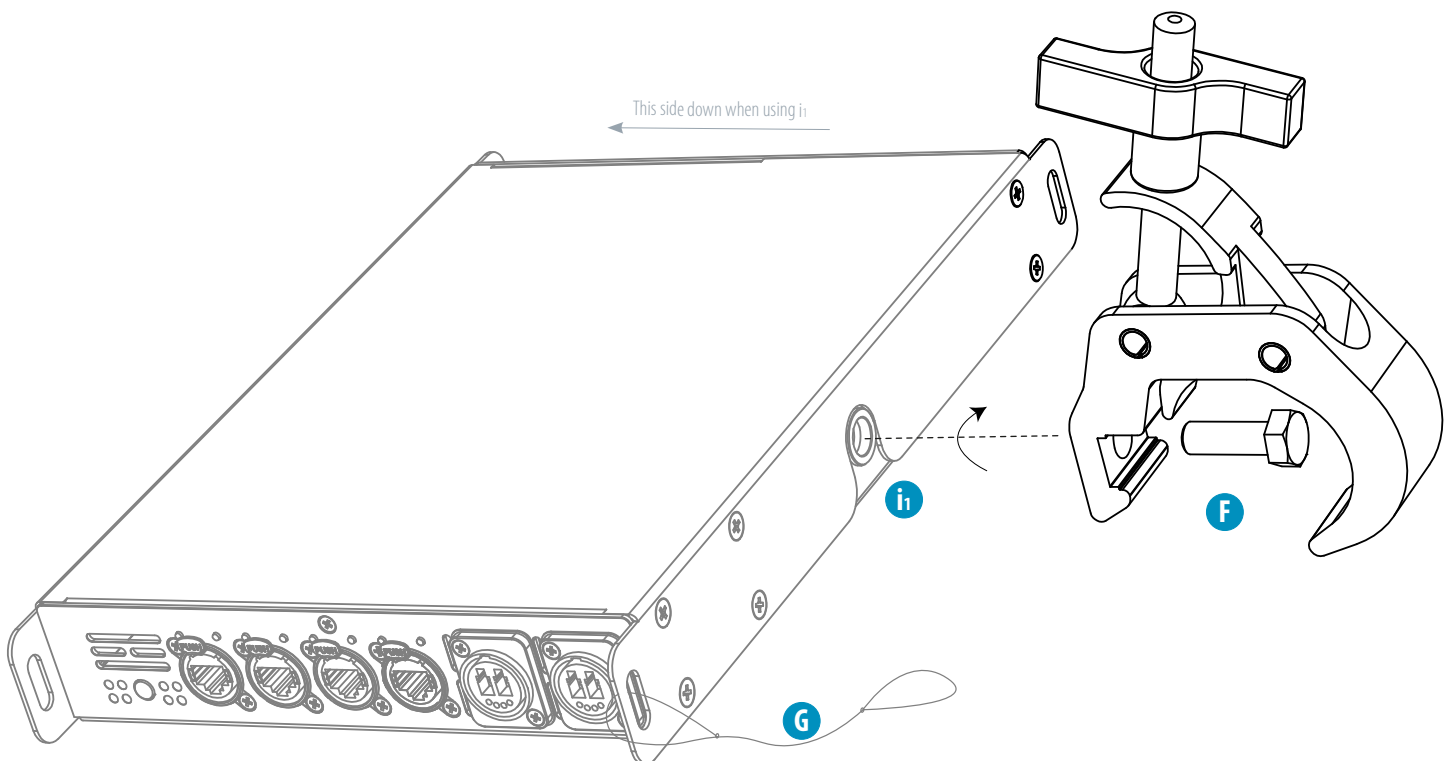
In case you want to mount two GigaCore 10 devices in a standard 19 inch rack, you have the ability to mount the two devices together. In space saving way that the two devices will only consume a single row in your 19 inch rack.

You first have to attach the included shortest mounting ears. Connect the shortest ear (C) to the left hand side of the first device with 4 out of the 8 screws located on the side of the product. Attach the other shortest ear (D), delivered with the second device, to the right hand side with 4 of the 8 screws. Use a pair of couplers (E) to connect the two devices in the middle on the frontside. Again use a pair of couplers (E), delivered with the second device, to connect the devices at the rear. Each pair of couplers must be mounted with 2 screws.



1.3 TRUSS MOUNT

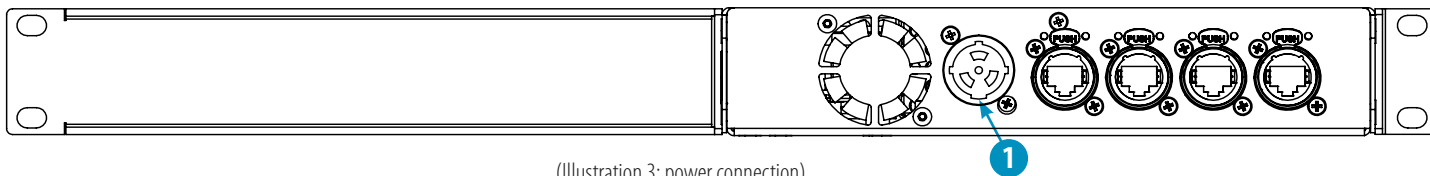
To mount the GigaCore 10 in a truss, you have to attach a M10 clamp (**F**) to one of the two inserts (**i₁** or **i₂**). After that, you can mount the clamp to the truss bars. Please also secure the device by attaching a safety line directly to the truss bars as well (**G**).



(Illustration 2: truss mounting)

2. POWER UP THE DEVICE

Power-up the device with a power cable with Neutrik powerCON TRUE1 connection (**1**) (please contact your local dealer if you don't have a suitable power cable on hand). The device will automatically switch on. To shut it down after use, just un-plug the power cable again.



(Illustration 3: power connection)

1 - Power In: Power input on Neutrik powerCON TRUE1

After connecting a power cable correctly, by default the power LED indicator on the front panel will light up in **green**.

3. LED INDICATORS

(Table 1: LED colors)

Find below the signification for every switch's LED.

Switch LED	Colour	Description
Power (General status LED)	Green	All OK
	Green blink	Unit is writing to the flash. Do not disconnect power
	Orange	Temperature warning
	Red blink	Temperature or Fan error
	Red/Green blink	The unit is flashing new firmware. Do not disconnect power
PoE LED (GigaCore 10 with PoE only)	Green	Internal PoE supply OK. PoE functionality OK
	Red blink	PoE supply or PoE functionality error
RLinkX LED	Green	RLinkX is active

Port LED	Status	Description
Link	Off	No link
	Green	Gigabit connection
	Orange	10/100 Mbps connection
	Blink	Activity

By pressing the mode button, you can select what info to display on the ports' LEDs.

State	Mode LED	Port Mode LED	Description
Groups	White	Group colour	The LED colour indicates the group assignation of the port
RLinkX	Blue	Blue	Indicates a redundant port
MultiLinkX	Magenta	Magenta	MultiLinkX is enabled
		White	MultiLinkX is active
PoE	Yellow	Yellow	PoE is activated on this port
		Orange	Port is sourcing a device
		Red	Error on PoE
Dark Mode	Off	Off	All port's LEDs are switched off. Switch's status LEDs remain available. Ideal to reduce light emitted by the switch

3. CONNECT TO THE WEB INTERFACE

- Connect a computer to the switch with a network cable
- Default GigaCore's IP address is displayed at the rear of the unit. Set your computer with an IP address within the same subnet (do not use the same IP address!)
- Launch your favorite web browser
- Type the following IP address of the switch in the address field
- Enter **admin** in the login field. Leave the password field blank.

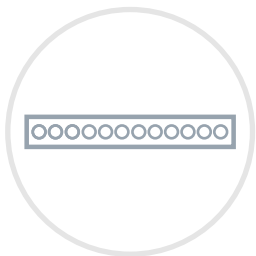
4. RESET

Sometimes it can come in handy to reset the device. To do that, **press and hold the mode button for 10 seconds**. Once the four LED indicator blinks red, release the button. This will reset all settings to default. User profiles will be preserved though.

Page intentionally left blank

Package contents

(Please contact your local dealer in case of missing parts)



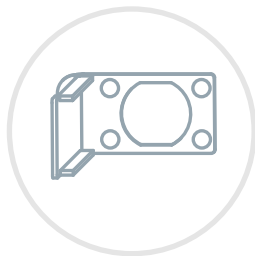
1x

GigaCore 10
(part no. LU 01 00058)



1x

PowerCON TRUE1 connector
(Neutrik NAC3FX-W)



2x

Rack mounting
brackets + 2 couplers



2x

Mounting screws
for couplers



1x

Quick start guide