

### Highlights:

---

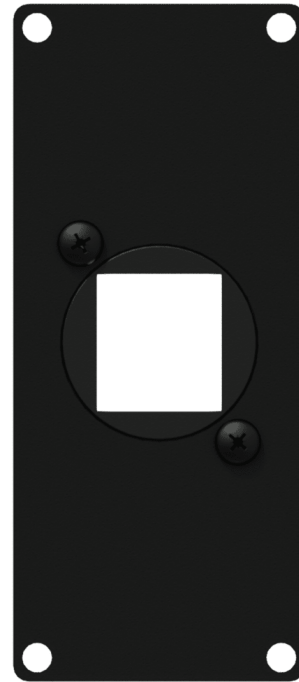
- 1.5 mm thick cold rolled steel frame
- Structured and scratch resistant black powder coating
- Assembly screws included
- Compatible with any CASY chassis
- Flexible system for system integration & connectivity

### Product information:

---

The CASY106 module features one cut-out to fit any of the PROCAB Keystone™ adapters. This flexible structure for system integration & connectivity can easily be implemented in a wide variety of CASY chassis.

\*Not compatible with PROCAB VCK526 & VCK526A.



### Product Features:


---

Dimensions	1.40 x 3.23 " (W x H)	
Cut-out measurement	1 x Keystone adapter (PROCAB VDK10)	
Module	Space	1
Weight	0.088 lb	

### Variants:

---

- CASY106/B - Black version

	<h1>CASY106</h1>			<b>Weight:</b> TBA	<b>Product description:</b> CASY 1 SPACE COVER PLATE - 1 X KEYSTONE ADAPTER
<b>Outer dimensions:</b> (w x h x d) 35,5 x 82,1 x 12,9		<b>Unit height:</b> 2 HE		