

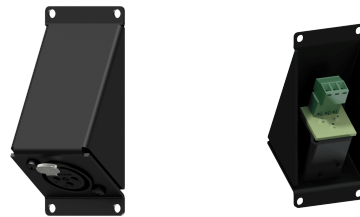
CASY 1 space angled with XLR female to 3-pin terminal block

Highlights:

- 1.5 mm thick cold rolled steel frame
- Structured and scratch resistant black powder coating
- Assembly screws included
- Compatible with any CASY chassis
- XLR connectors by Neutrik
- Solderless connections
- Flexible system for system integration & connectivity

Product information:

The CASY123 is a CASY module with a female XLR connector placed in an angle on the front side and a solderless terminal block on the backside. This flexible structure for system integration & connectivity can easily be implemented in a wide variety of CASY chassis.




Product Features:

Dimensions	1.40 x 3.23 " (W x H)	
Weight	0.15 lb	
Connection	XLR Female (angled) (NAC3FAAV) to 3-pin terminal block	
Module	Space	1

Variants:

- CASY123/B - Black version

	<h1>CASY123</h1>		<p>Product description: CASY 1 SPACE ANGLED WITH XLR FEMALE TO 3-PIN TB</p>	
	<p>Weight: 70 g</p>	<p>Outer dimensions: (w x h x d) 35,5 x 82,1 x 38,4</p>		
				<p>Unit height: 2 HE</p>

