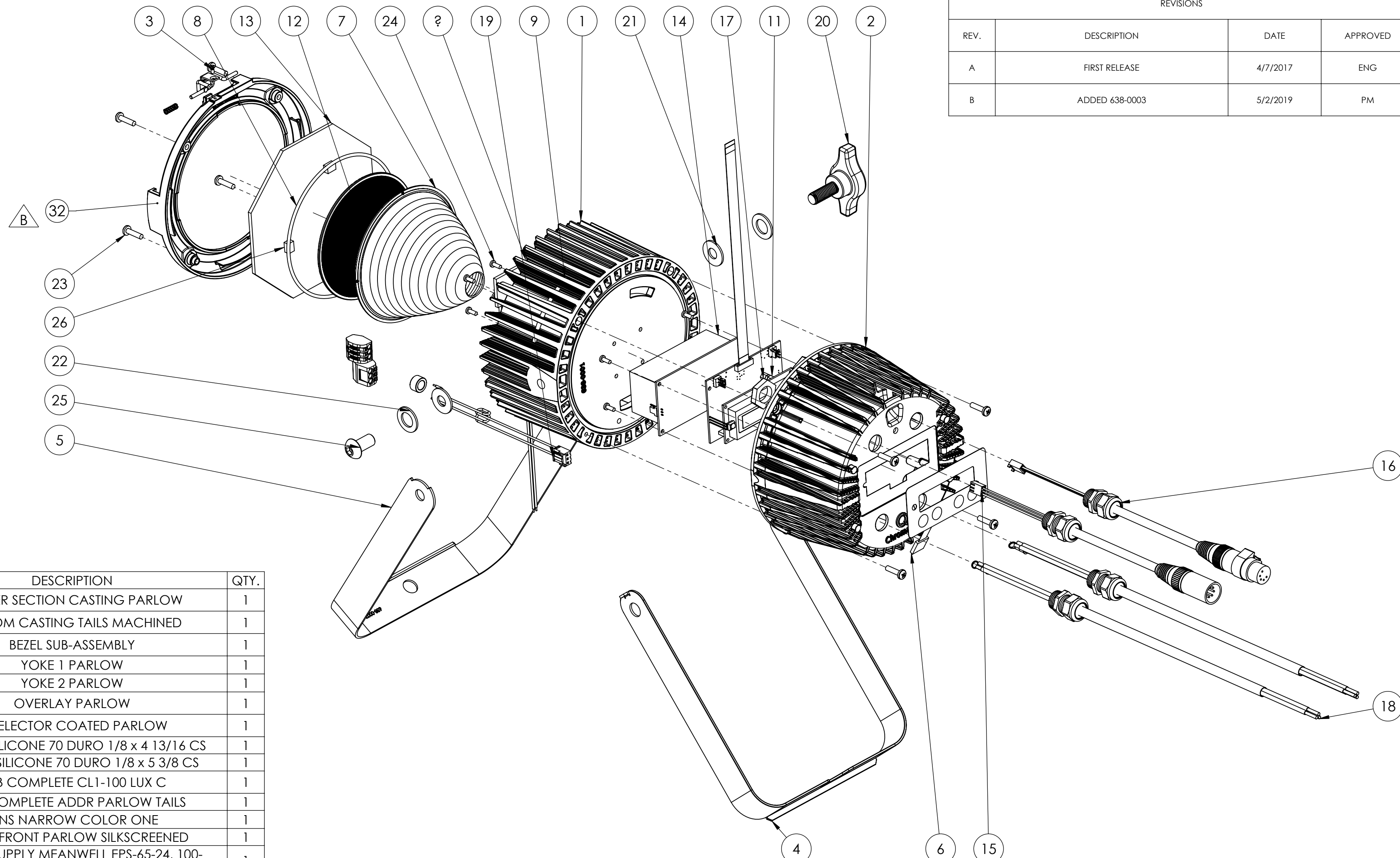


REVISIONS			
REV.	DESCRIPTION	DATE	APPROVED
A	FIRST RELEASE	4/7/2017	ENG
B	ADDED 638-0003	5/2/2019	PM



#	PART NUMBER	DESCRIPTION	QTY.
1	638-0001	CENTER SECTION CASTING PARLOW	1
2	638-0503	BOTTOM CASTING TAILS MACHINED	1
3	638-0511	BEZEL SUB-ASSEMBLY	1
4	638-0006	YOKE 1 PARLOW	1
5	638-0007	YOKE 2 PARLOW	1
6	638-0008	OVERLAY PARLOW	1
7	638-0014	REFLECTOR COATED PARLOW	1
8	900-0727	O-RING SILICONE 70 DURO 1/8 x 4 13/16 CS	1
9	900-0735	O-RING SILICONE 70 DURO 1/8 x 5 3/8 CS	1
10	638-0117	PCB COMPLETE CL1-100 LUX C	1
11	638-0106	PCB COMPLETE ADDR PARLOW TAILS	1
12	638-0021	LENS NARROW COLOR ONE	1
13	638-0521	GLASS FRONT PARLOW SILKSCREENED	1
14	900-2181	POWER SUPPLY MEANWELL EPS-65-24, 100-240VAC, 1.5A	1
15	638-0307	TAIL XLR M 3FT	1
16	638-0308	TAIL XLR F 3FT	1
17	900-5187	NUT LOCKING METRIC STRAIN RELIEF M16x1.5	4
18	638-0309	TAIL POWER IN/OUT 3FT	2
19	638-0306	HARNESS INTERNAL AC	1
20	638-0113	KNOB BLACK M10x1.5 - 20mm SS	1
21	338-2187-5	WASHER FLAT BLK/GRN 3/8ID x 7/8OD x 1/16THK C4324	2
22	350-2187-5	WASHER FLAT BLK/GRN 1/2IDx7/8ODx1/16THK C4324	2
23	440-1216-2	SCREW M4x16 PH PLPS SS	8
24	430-1208-0	SCREW, M3x8 PH PLPS BLK	6
25	638-0012	SHOULDER SCREW M10x16 BHCS BLK	1
26	900-0594	NEOPRENE GASKET - 1/8" x 3/8" x 3/16" long	4
27	450-1212-0	SCREW M5x12 PH PLPS BLK	2
28	450-2609-1	WASHER LOCK M5 EXT TOOTH	3
29	430-4105-1	STDOFF M3 NUTx5, SCREW M3x6	2
30	430-3203-0	NUT HEX M3 COMB BLK	1
31	430-3102-1	NUT HEX M3	1
32	638-0003	BEZEL CASTING PARLOW	1

PROPRIETARY AND CONFIDENTIAL
 THE INFORMATION CONTAINED IN THIS DRAWING IS THE SOLE PROPERTY OF SPECTRUM MANUFACTURING. ANY REPRODUCTION IN PART OR AS A WHOLE WITHOUT THE WRITTEN PERMISSION OF SPECTRUM MANUFACTURING IS PROHIBITED.

	NAME	DATE
DRAWN	MB	2019-05-02
CHECKED	PM	2019-05-02
ENG APPR.	PM	2019-05-02
MFG APPR.		
Q.A.		
COMMENTS:		

Chroma-Q
 BRILLIANT SOLUTIONS

TITLE:
COLOR ONE 100X
P/N: CHCONE100XRGBAI PSS
MODEL: 638-1150

SIZE	DWG. NO.	REV
C	638-1150	B

SCALE: 1:8 WEIGHT: SHEET 1 OF 1