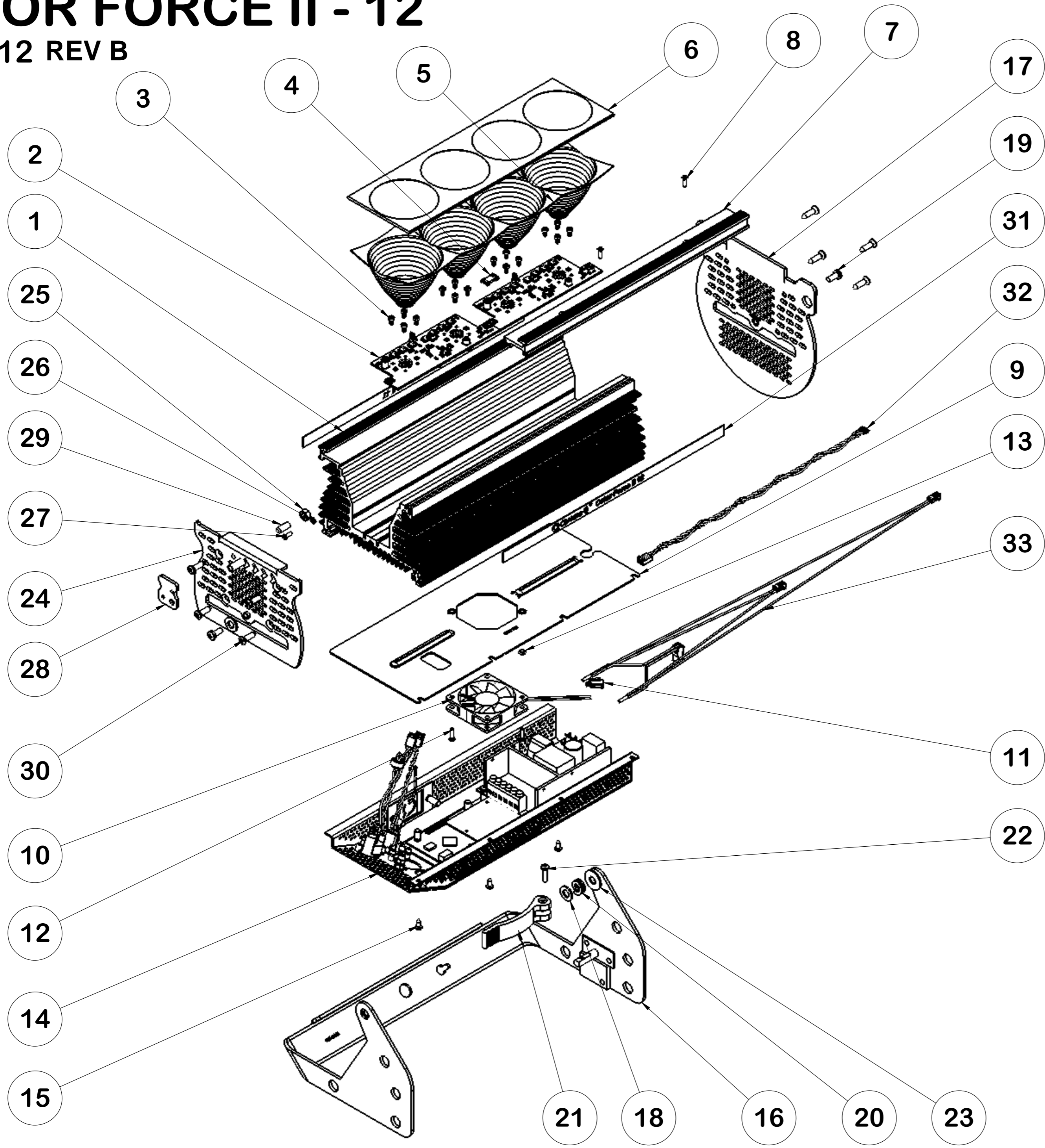


COLOR FORCE II - 12

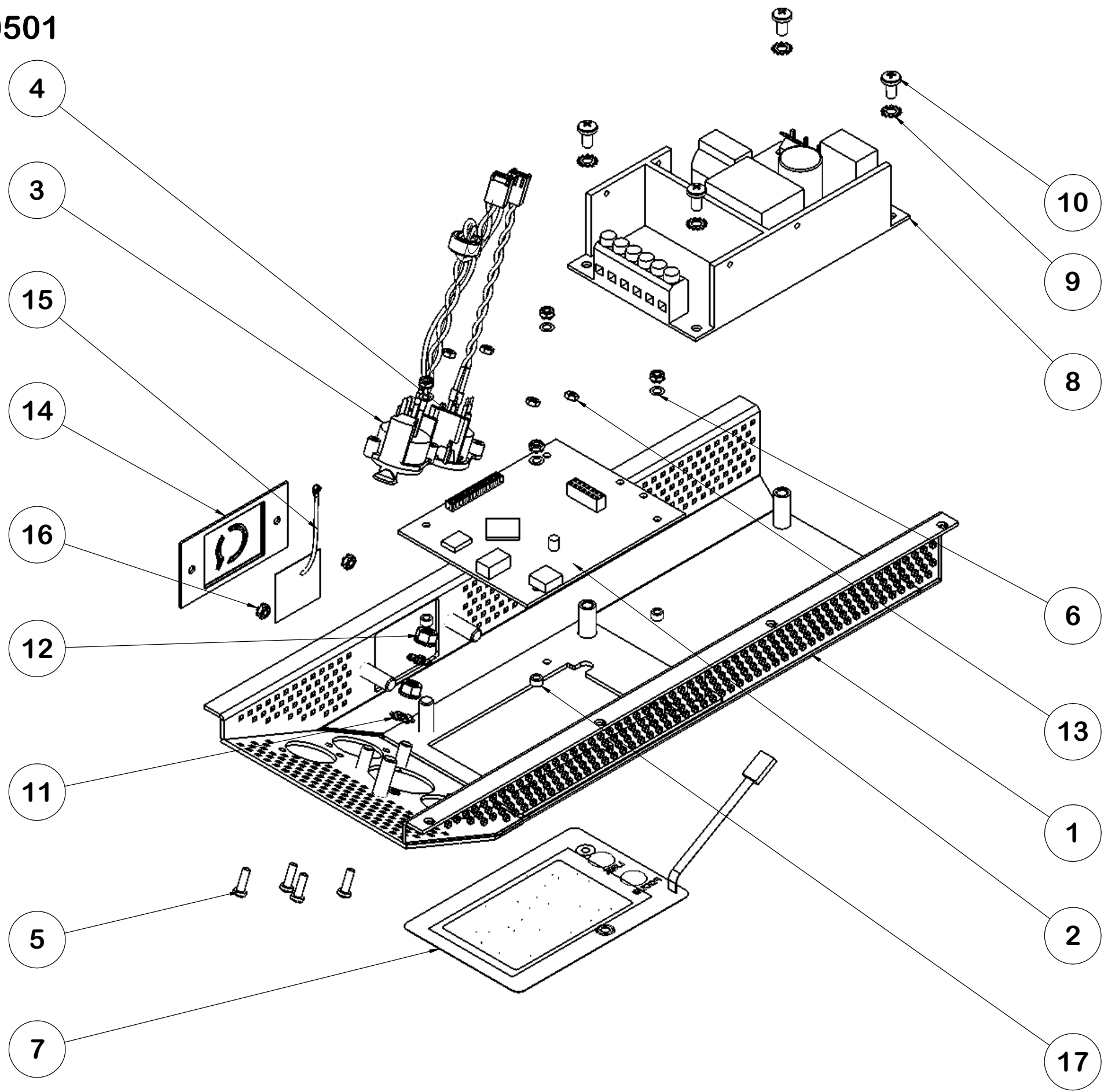
652-1012 REV B



ITEM NO.	PART NUMBER	DESCRIPTION	QTY.
1	652-0100	EXTRUSION CFII 12 MAIN ANOD BLK	1
2	652-0204	PCB COMPLETE ENGINE CFII 12	2
3	430-1406-0	SCREW M3 X 6 SHCS BLK	16
4	900-2174	HIROSE BRIDGE (FLOATING PLUG) 3PIN	1
5	641-0320	REFLECTOR, CFII	4
6	641-0210	LENS CF II ASYMETRIC	1
7	652-0101	EXTRUSION CFII 12 CLAMP MACH ANOD BLK	1
8	429-6110-0	SCREW SELF TAP FH PLPS BLK ST2.9x9.5 RoHS	2
9	652-0003	FAN PLATE CFII 12 BLK	1
10	900-790	FAN 60x60x15 12VDC	1
11	652-0504	SA CONNECTOR WITH RESISTOR	1
12	430-1212-0	SCREW M3x12 PH PLPS BLK	2
13	440-5516-8	ORING 4.1mm NBR70 1.6mm W	2
14	652-0501	S/A CFII 12 BOTTOM BRACKET	1
15	435-6295-0	SCREW SELF TAP PH PLPS BLK ST3.5x9.5 RoHS	4
16	621-0046	YOKE CF12 COMPLETE	1
17	652-0001	END PLATE LOCKING CF12 BLACK	1
18	480-2518-1	WASHER FLAT M8 TYPE M	3
19	450-1212-0	SCREW M5x12 PH PLPS BLK	2
20	480-2914-4	WASHER DOUBLE SPRING M8	1
21	622-0012	LEVER QUICK RELEASE	1
22	440-1216-2	SCREW M4x16 PH PLPS SS	1
23	480-2112-1	FLAT WASHER, M8 TYPE L ZPL	1
24	652-0002	END PLATE CONNECTOR CF II 12	1
25	460-3105-0	NUT HEX M6 BLACK	1
26	430-3102-1	M3 HEX NUT ZN	1
27	430-1110-0	SCREW M3x10 FH PLPS BLK	1
28	621-0049	ACCESSORIES LOCK CF12 BLK	1
29	900-0342	PLUNGER BALL M6	1
30	450-6119-0	SCREW SELF TAP FH PLPS BLK 4.8X19	8
31	652-0552	STRIP IDENTIFICATION CFII - 12	2
32	652-0470	DATA TO ENGINE FROM CTRL PCB	1
33	652-0446	PSU TO ENGINE	1

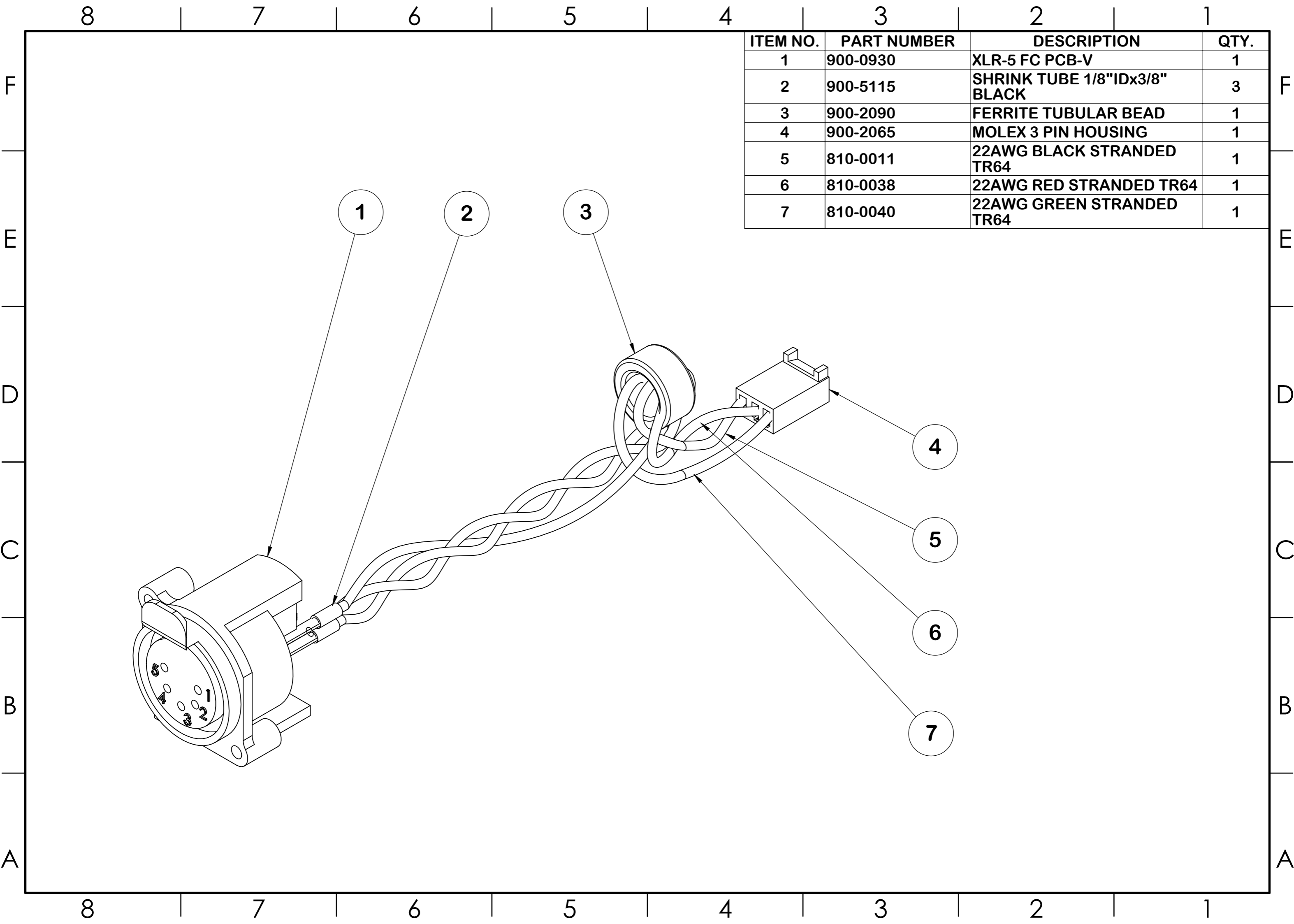
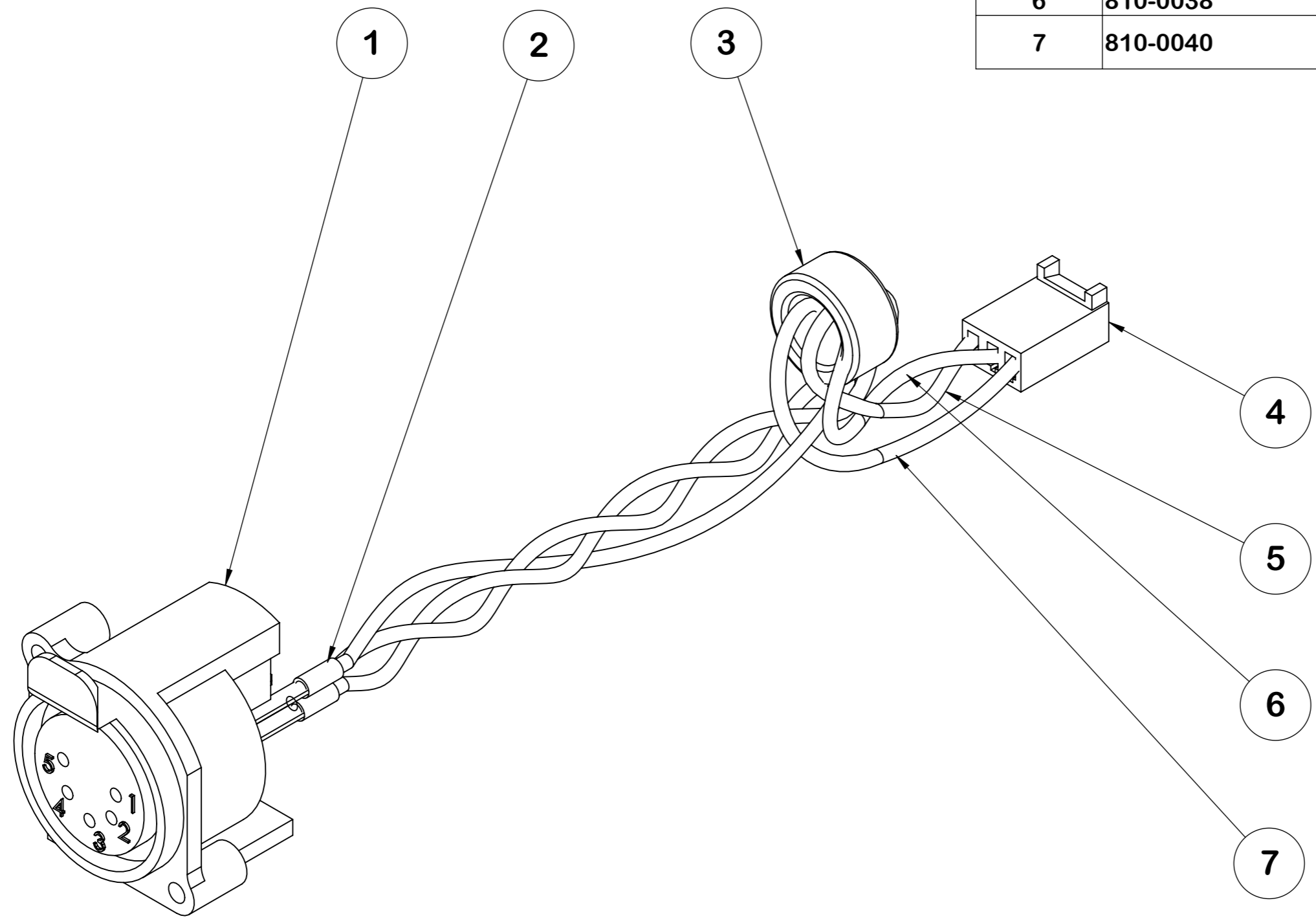
COLOR FORCE II- 12

652-0501



ITEM NO.	PART NUMBER	DESCRIPTION	QTY.
1	652-0004	BOTTOM BRACKET CF12	1
2	652-0102	PCB COMPLETE CF II 12 ADDRESSING	1
3	652-0401	HARNESS XLR5-F CFII 12	1
4	652-0402	HARNESS XLR5-M CFII 12	1
5	429-1208-9	SCREW M2.9 x 8 PH PZDRV BLK PLASTITE	4
6	435-2108-3	WASHER FLAT M3.5 NYLON 6/6	4
7	652-0200	OVERLAY, CF II 12	1
8	900-2061	POWER SUPPLY 24V 150W SBU-150-108 SCREW TERM	1
9	440-2608-4	WASHER LOCK M4 EXT TEETH BLK	4
10	440-1208-0	SCREW M4x8 PH PLPS BLK	4
11	450-2609-1	WASHER LOCK M5 EXT TOOTH Zn	2
12	450-3205-1	NUT HEX M5 COMBI Zn	2
13	425-3102-1	NUT HEX M2.5, 5.5mm AF, Zn PLATED	4
14	652-0210	ANTENNA MOUNT	1
15	900-1319	900-1319 [ANTENNA, FLEX CIRC PCB w 53mm CABLE]	1
16	430-3203-0	NUT HEX M3 NYLOCK BLK	6
17	430-2003-7	SPACER ROUND M3 BRASS 3mm LG	4

ITEM NO.	PART NUMBER	DESCRIPTION	QTY.
1	900-0930	XLR-5 FC PCB-V	1
2	900-5115	SHRINK TUBE 1/8"IDx3/8" BLACK	3
3	900-2090	FERRITE TUBULAR BEAD	1
4	900-2065	MOLEX 3 PIN HOUSING	1
5	810-0011	22AWG BLACK STRANDED TR64	1
6	810-0038	22AWG RED STRANDED TR64	1
7	810-0040	22AWG GREEN STRANDED TR64	1



ITEM NO.	PART NUMBER	DESCRIPTION	QTY.
1	810-0011	22 AWG BLACK STRANDED TR64	1
2	900-2065	MOLEX 3 PIN HOUSING	1
3	810-0038	22 AWG RED STRANDED TR64	1
4	900-5115	SHRINK TUBE 1/8"IDx3/8" BLACK	2
5	900-0931	XLR-5 MC PCB-V (CC)	1

