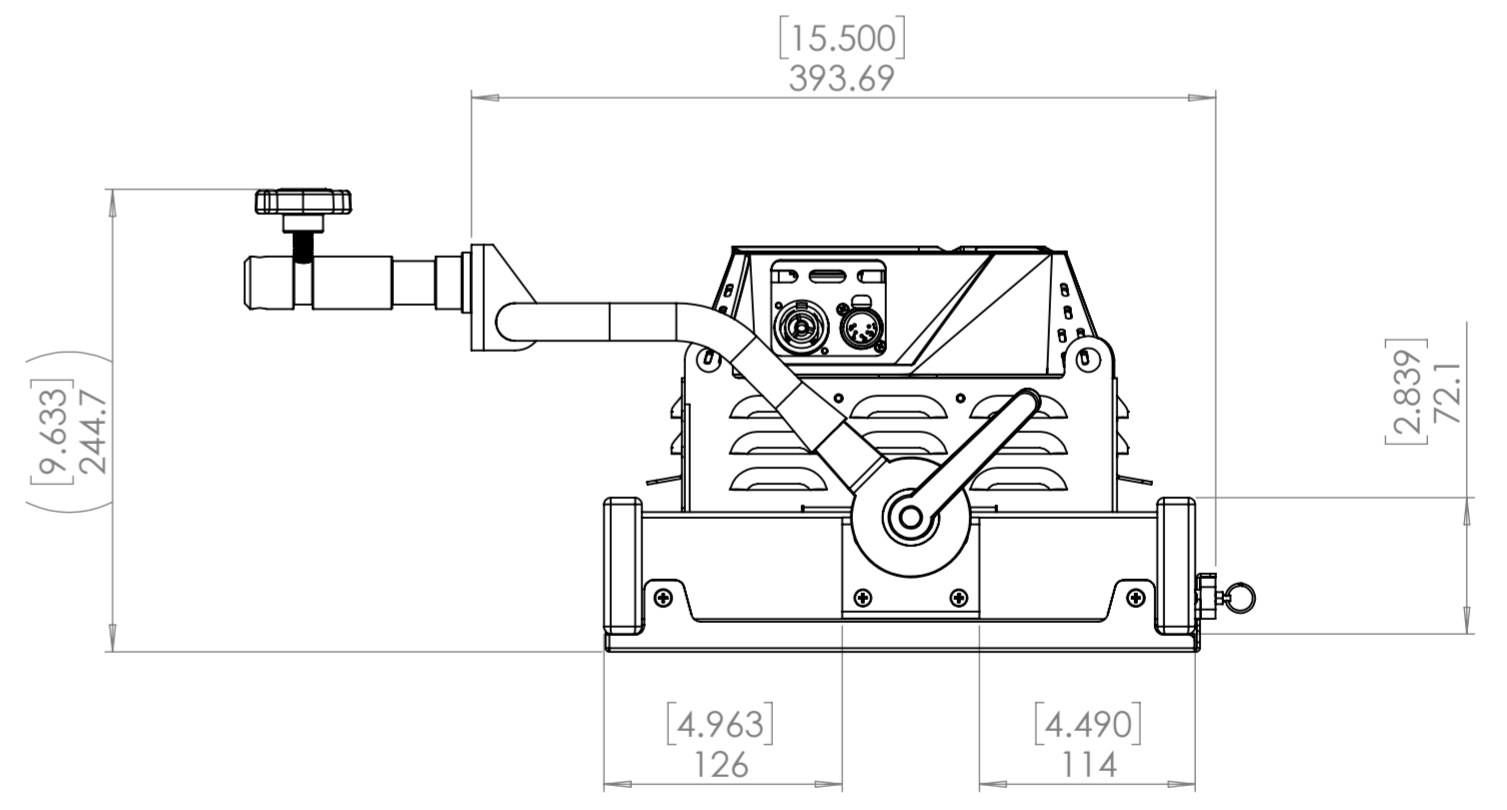
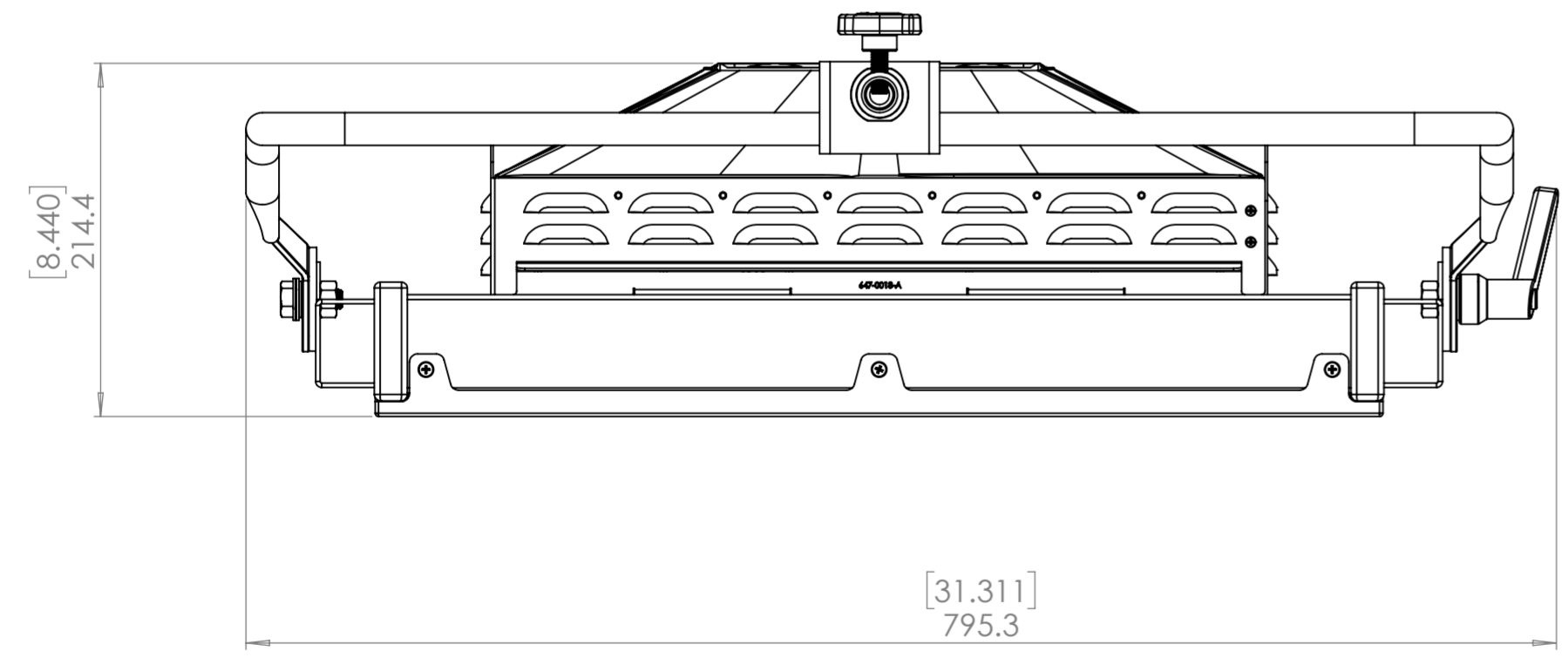
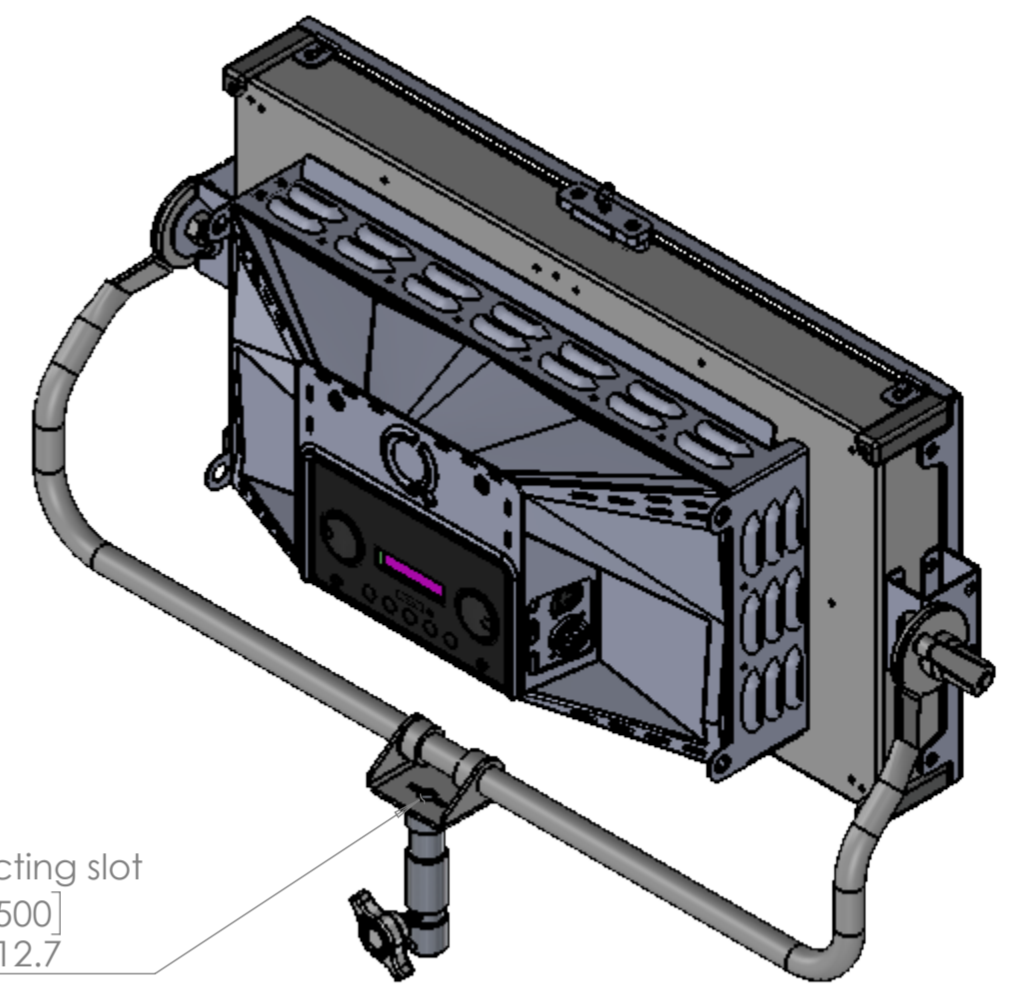
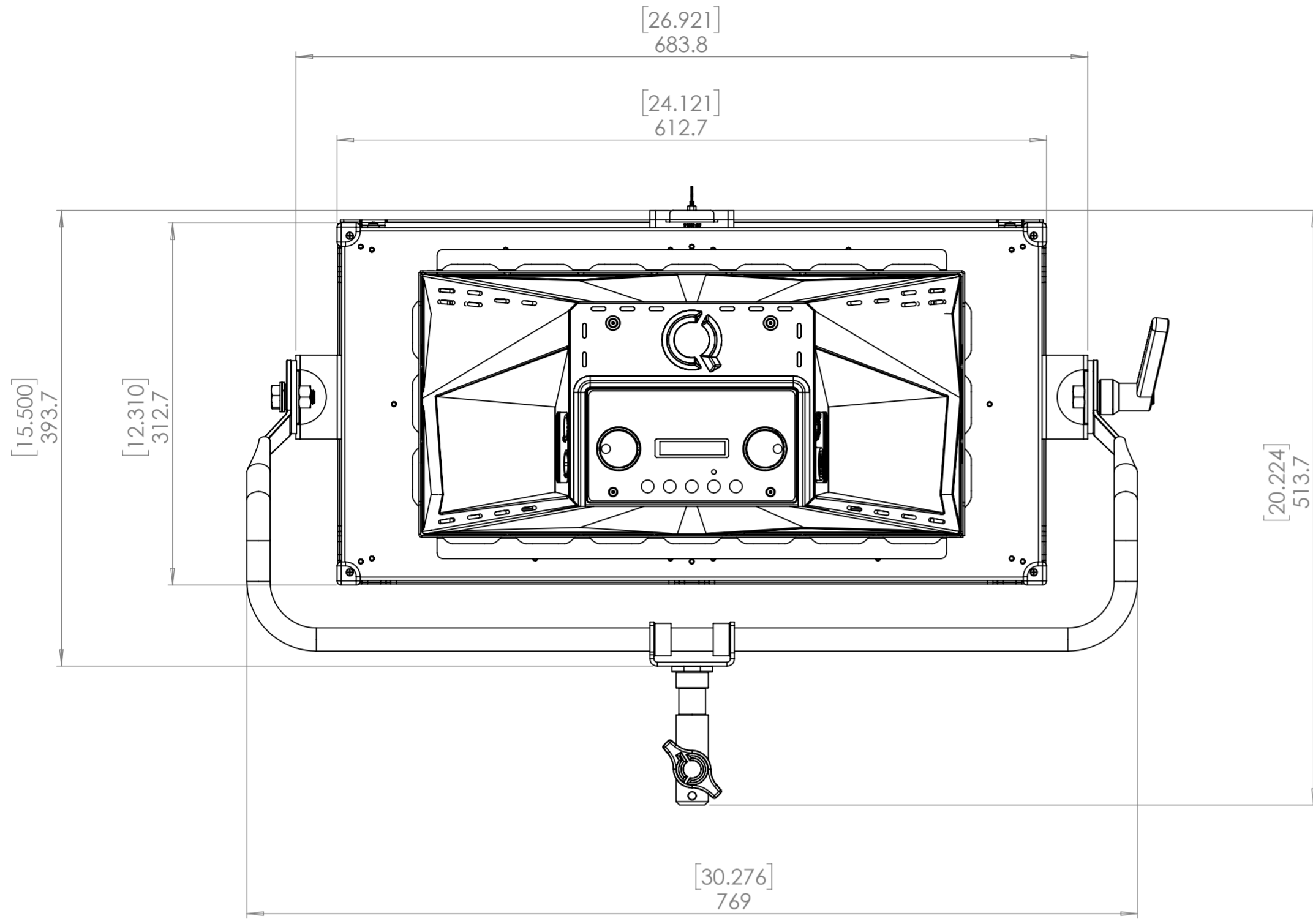


12 11 10 9 8 7 6 5 4 3 2 1

H
G
F
E
D
C
B
A

H
G
F
E
D
C
B
A

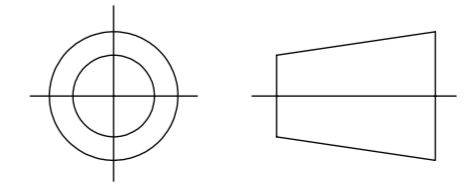


ALL INFORMATION CONTAINED IN THIS DOCUMENT IS PROPERTY OF CHROMA-Q AND MAY NOT BE REPRODUCED IN WHOLE OR PART WITHOUT PERMISSION OF CHROMA-Q

UNLESS OTHERWISE SPECIFIED ALL DIMENSIONS ARE IN MM [INCHES]

TITLE:
**SPACE FORCE OnebyTwo
Line Drawing**

THIRD ANGLE PROJECTION



SIZE A2	PART NO. 647-2000	REV D
-------------------	-----------------------------	-----------------

SCALE: 1:5	WEIGHT:	SHEET 1 OF 1
------------	---------	--------------

12 11 10 9 8 7 6 5 4 3 2 1