

# WX802MK2/0

## Outdoor series

### User & Installation Manual



[www.audac.eu](http://www.audac.eu)



# Introduction

## Universal wall speaker

The WXMK2/O are powerful 2-way performance speakers, which are especially designed for outdoor use, ensuring true-to-nature, high fidelity reproduction of music and speech in every environment, ranging from modern residential applications to the most demanding outdoor applications in parks, stadiums, hotels and even clubs.

It features a stunningly designed and elegant looking ABS housing which is fitted with high quality components. The speaker is available in three sizes, 3", 5 1/4" and 8", and can be used in standard low impedance systems as well as 100V PA installations. A special treatment with powder coating provides the necessary protection for all weather conditions. Because of this, the powder coated aluminum bracket and grill can pass the 720 hours salt-spray test. A drain hole behind the aluminum grill allows water to flow out and the rotatable 5 pole waterproof connector with power tap selection makes sure that the speaker meets the IP55 standard. The included mounting bracket allows horizontal and vertical mounting as well as focusing of the speaker, and an integrated advanced protection network protects the tweeter against overload.

# Precautions

## READ FOLLOWING INSTRUCTIONS FOR YOUR OWN SAFETY

- ALWAYS KEEP THESE INSTRUCTIONS FOR FUTURE REFERENCE. NEVER THROW THEM AWAY
- ALWAYS HANDLE THIS UNIT WITH CARE
- HEED ALL WARNINGS AND FOLLOW ALL INSTRUCTIONS
- ONLY USE ATTACHMENTS & ACCESSORIES SPECIFIED BY THE MANUFACTURER.
- ONLY INSTALL THE SPEAKER IN LOCATIONS THAT CAN STRUCTURALLY SUPPORT THE WEIGHT OF THE SPEAKER. IGNORING THIS CAN BRING THE SPEAKER DOWN.
- DO NOT USE ANY OTHER METHOD THAN SPECIFIED TO MOUNT THE SPEAKER. IF EXTREME FORCE IS APPLIED TO THE SPEAKER, IT COULD FALL DOWN
- ATTACH A SAFETY WIRE TO THE SPEAKER WHEN IT IS MOUNTED HIGH UP. ONLY USE INDUSTRY-ACCEPTED RIGGING TOOLS AND METHODS
- CAREFULLY CHECK THE UNIT'S CONDITION AFTER UNPACKING. IF THERE IS ANY DAMAGE TO THE CARTON BOX OR THE UNIT ITSELF, INFORM YOUR VENDOR IMMEDIATELY.
- ALWAYS FOLLOW THE LOCAL REGULATIONS AND REQUIREMENTS REGARDING INSTALLATION, SUSPENSION AND CONNECTION OF THIS LOUDSPEAKER. EVEN WHEN OTHERWISE SPECIFIED IN THIS DOCUMENT.
- THE INSTALLATION OF THIS LOUDSPEAKER SHALL BE DONE BY QUALIFIED PERSONNEL ONLY.

## CAUTION

- USE CABLES OF THE RIGHT GAUGE TO CONNECT THE LOUDSPEAKER
- USE CABLES WITH CLEAR COLOUR CODING INDICATING THE POLARITY AND MAINTAIN THE SAME POLARITY THROUGHOUT THE WHOLE SYSTEM.
- ONLY USE THE CORRECT AMPLIFIER OUTPUT VOLTAGE AND IMPEDANCE. EXCEEDING THESE LIMITS COULD CAUSE FIRE OR OTHER FAILURES.  
**AVOID EXPLOSIONS:** DO NOT USE THE SPEAKER AROUND GASOLINE, THINNER OR OTHER COMBUSTIBLES
- AVOID ELECTRIC SHOCKS: SWITCH OFF THE AMPLIFIER WHEN CONNECTING THE LOUDSPEAKER
- DO NOT USE THE LOUDSPEAKER FOR AN EXTENDED PERIOD OF TIME AT DISTORTED SOUND. THIS COULD CAUSE PERMANENT DAMAGE.



### CAUTION – SERVICING

This product contains no user serviceable parts. Refer all servicing to qualified service personnel. Do not perform any servicing (unless you are qualified to do so.)



### EC DECLARATION OF CONFORMITY

This product conforms to all the essential requirements and further relevant specifications described in following directives: 2014/30/EU (EMC) and 2014/35/EU (LVD)



### WASTE ELECTRICAL AND ELECTRONIC EQUIPMENT (WEEE)

The WEEE marking indicates that this product should not be disposed with regular household waste at the end of its product life. This regulation is created to protect both the environment and human health.

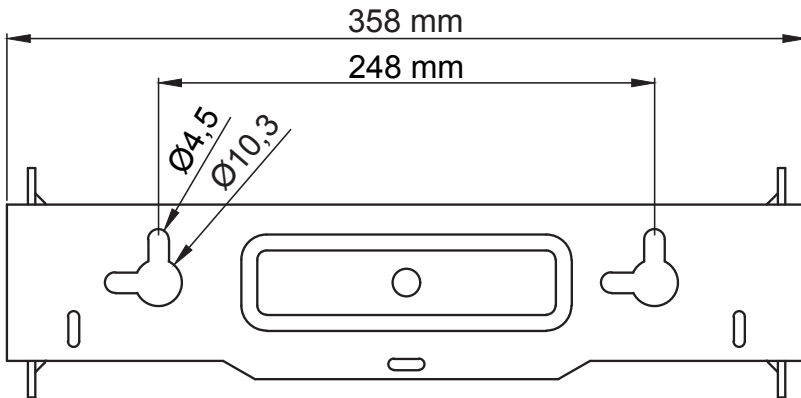
This product is developed and manufactured with high quality materials and components which can be recycled and/or reused. Please dispose this product to your local collection point or recycling centre for electrical and electronic waste. This will make to sure that it will be recycled on an environmentally friendly manner, and will help to protect the environment in which we all live.

# Installing the WX802MK2/0

## Step 1: Mount the loudspeaker

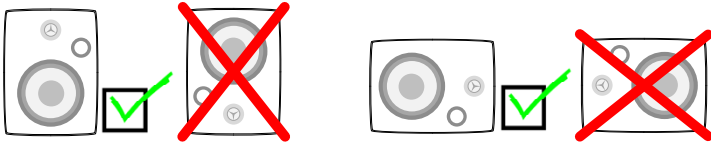
The loudspeaker can be mounted both horizontally and vertically by means of the supplied mounting bracket. For mounting the loudspeaker on the desired mounting location, the mounting bracket should be removed from the loudspeaker. This can be done by loosening the thumbscrews on either side of the loudspeaker. After this is done, the mounting holes should be indicated.

For a stable mounting of the loudspeaker it should always be fastened by two screws. The position of the mounting holes depends on the mounting orientation, horizontally or vertically. After this, the bracket can be mounted on the desired location. Always use the proper fasteners depending of the mounting surface. Once the bracket is mounted on the desired location, the loudspeaker can be fixed to the bracket.



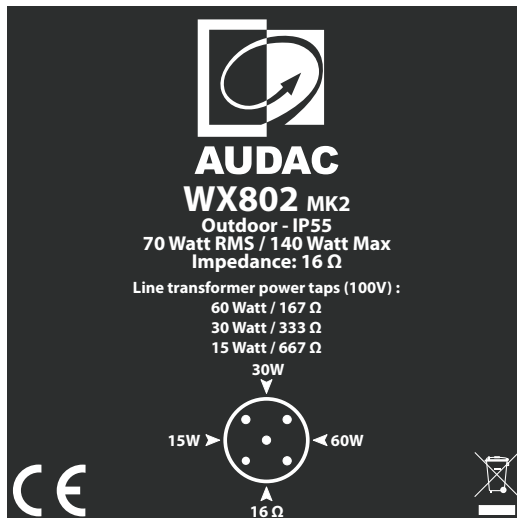
## ATTENTION

To make sure that no rain or other liquids can enter the loudspeaker when mounted outside, a special construction is provided at the inner side of the bass port. This construction is only functional when the loudspeaker is mounted in the correct position. The loudspeaker must be mounted according to the woofer orientation as shown below. When mounting upright, the tweeter shall be on top of the woofer, when mounted sideways the tweeter shall be on the right side of the woofer.



## Step 2: Power settings

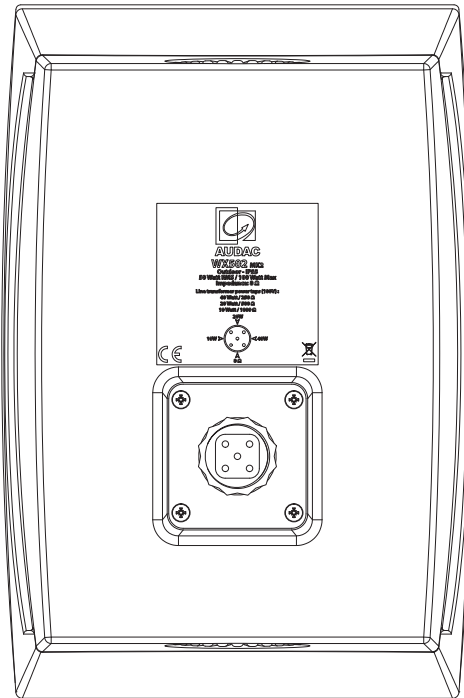
The power tap of the WXMK2/0 speakers can be selected depending on the orientation of the waterproof connector on the rear side of the loudspeaker. A white dot is displayed on the cable part of the connector. Depending on the direction of the white dot, the desired power tap is connected. The corresponding power taps are shown on the sticker on the rear side of the loudspeaker. The power / impedance of the loudspeaker can be set in 3 adjustable steps of impedance for 100V and 1 step for standard low impedance applications.



When the loudspeaker is connected to 70.7V facilities, the power indicated in the image on the previous page will be reduced to half the power, and when connected to 50V facilities, the power will be reduced to a quarter.

## Step 3: Make the connections

After connecting the AWX5™ connector in the orientation corresponding to your desired power tap, screw on the outer ring to secure the connector in place and guarantee a waterproof connection.



## Step 4: Enjoy the music

After the WX loudspeakers have been installed correctly, you deserve to have a short break, relax and enjoy the sound of the speakers!



# Additional information

## Technical specifications

RMS Power	70 W
Nominal Impedance	16 Ohm
Line transformer power tapings	167 Ohm / 60 W 333 Ohm / 30 W 667 Ohm / 15 W
Sound pressure level 1W / 1m	89 dB
Sound pressure max W / 1 m @ 8 Ohm	108 dB
Sound pressure max W / 1 m @ 100V	106 dB
Frequency response -3 dB	60 Hz – 18 kHz
Frequency response -10 dB	50 Hz – 20 kHz
Cross-over frequency	2400 Hz
Horizontal coverage	110°
Vertical coverage	110°
Drivers	1" HF + 8" LF
Connector	AWX5™
Mounting Bracket	Powder coated aluminum
Front finish	Powder coated aluminum grill
Dimensions (W x H x D)	270 x 360 x 215 mm
Weight	7,5 Kg
Construction	ABS
Accessories included	Wall bracket
Colors	Black / White





