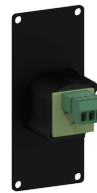


### Highlights:

- 1.5 mm thick cold rolled steel frame
- Structured and scratch resistant black powder coating
- Assembly screws included
- Compatible with any CASY chassis
- XLR connectors by Neutrik
- Solderless connections
- Flexible system for system integration & connectivity

### Product information:

The CASY121 is a CASY module with a female XLR connector on the front side and a solderless terminal block on the backside. This flexible structure for system integration & connectivity can easily be implemented in a wide variety of CASY chassis.

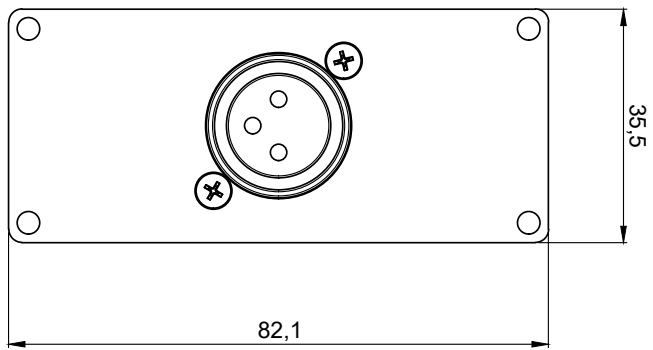



### Product Features:

Dimensions	1.40 x 3.23 " (W x H)	
Weight	0.090 lb	
Connection	XLR Female (NAC3FAAV) to 3-pin terminal block	
Module	Space	1

### Variants:

- CASY121/B - Black version



	<b>CASY121</b>	<b>Product description:</b> CASY 1 SPACE WITH XLR FEMALE TO 3-PIN TB	<b>Unit height:</b> 2 HE
	<b>Weight:</b> 41 g	<b>Outer dimensions:</b> (w x h x d) 35,5 x 82,1 x 47,7	