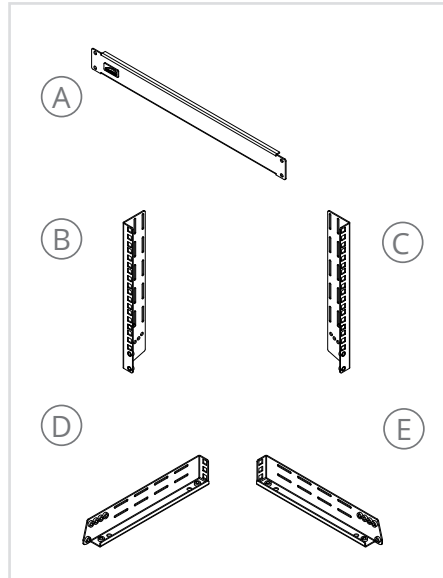
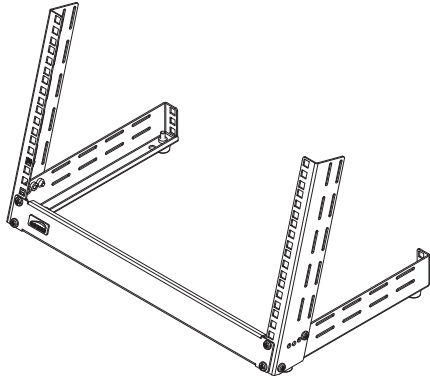


# INSTALLATION MANUAL

TPR300A SERIES



## PARTS



## ACCESSORIES

