

PRODUCT SPECIFICATIONS

LumiNode 4^{DiN}

1. APPLICATIONS

Ethernet / DMX processing device

The LumiNode 4 DIN is an easy to deploy and maintain ethernet/DMX processing device for converting, routing and merging DMX/RDM data.

The unit is designed to easily mount on a standard DIN-rail making it an ideal solution for fixed installations and archtainment. Two versions are available, one with RJ45-DMX ports and one with terminal block-DMX ports. Each port is fully optically and galvanically isolated and can be configured as an in- or output. All relevant industry standard protocols such as Art-Net, sACN, KiNET, RTTR-pl (Blacktrax) are supported and can be processed and converted in 6 onboard processing engines supporting HTP, LTP, Crossfade, Backup, Switch and Custom merging modes with soft patch functionality. LumiNode 4 DIN also supports remote device management (RDM), has automatic functional and operational redundancy and recovery to reliably cope with the most challenging lighting tasks. A show recording and play-back mode lets you conveniently store lighting scenes and play these back when triggered to do so. An external contact closure is included as standard to allow for example to playback lighting scenes in case of emergency. LumiNode 4 DIN is efficient and has a low power consumption. It can be powered by DC power and/or via PoE.

LumiNode 4 DIN is easy and intuitively to configure through a built in web-based user interface. The fully documented open API facilitates full integration with any 3rd party control or management system.

With its two 1Gigabit ethernet ports, LumiNode 4 DIN offers the possibility of a split network interface, with individual IP-addresses, making it possible to separate the lighting network data streams from IT related data, allowing for remote status monitoring and management without interfering with critical lighting control data streams.

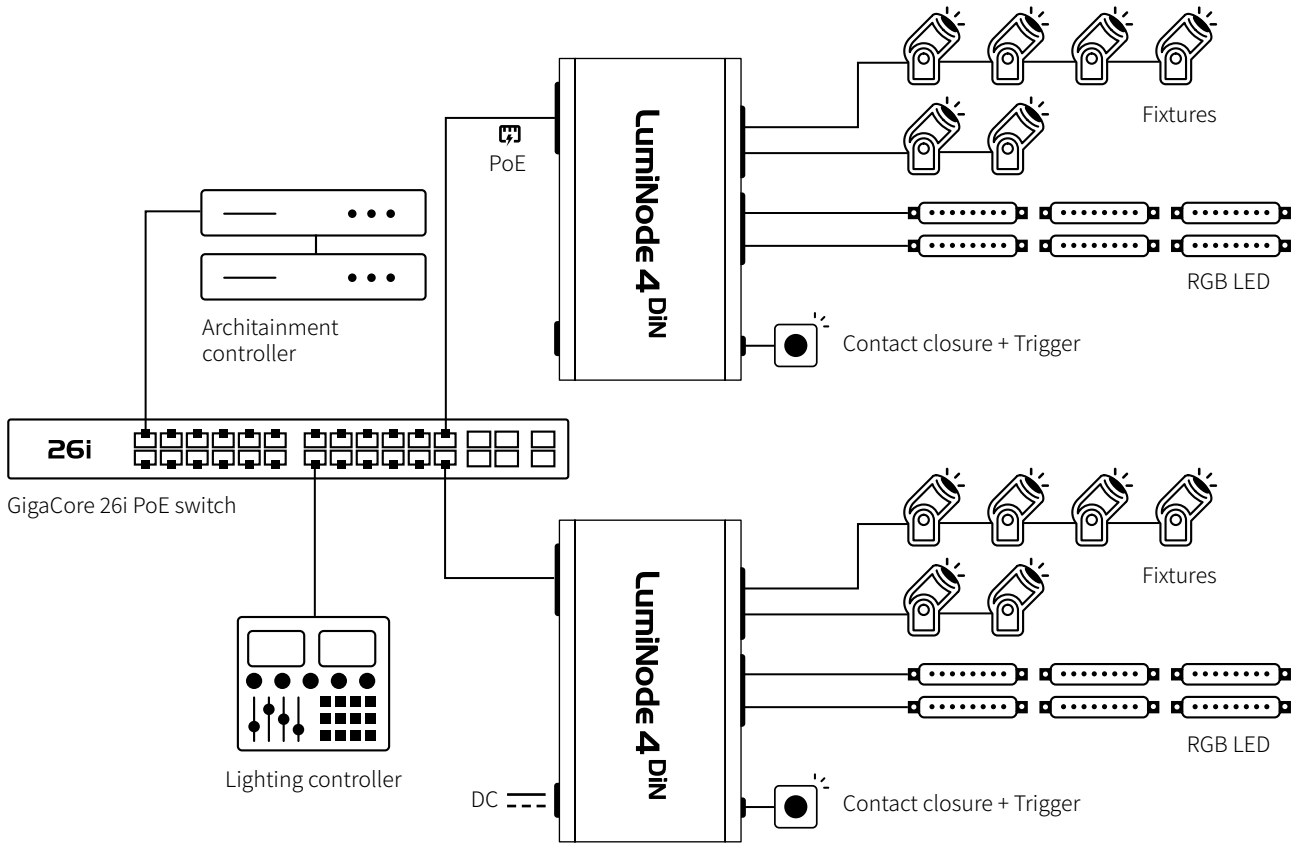
Applications:

- Fixed installations
- Cruise ships / Yachts
- Theaters
- Arena / stadium lighting
- Archtainment lighting
- Theme parks
- Campuses
- Indoor farming lighting & control
- Houses of worship
- ...

ORDERING INFORMATION

Product name:	Part numbers:
LumiNode 4 DIN-RJ45	LU 01 00082-RJ45
LumiNode 4 DIN-Terminal Block	LU 01 00082-TB

2. APPLICATION DIAGRAM

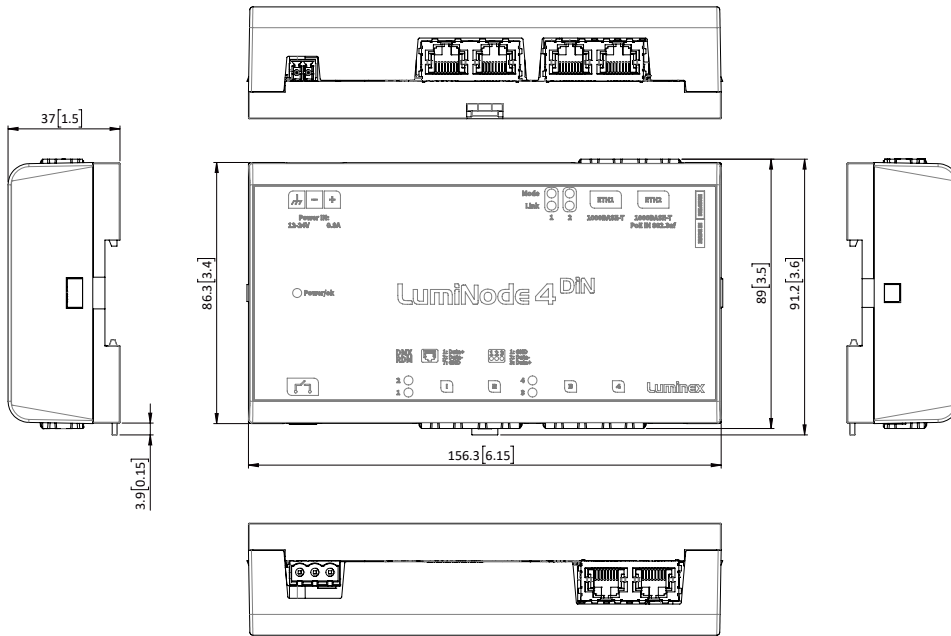


3. TECHNICAL SPECIFICATIONS

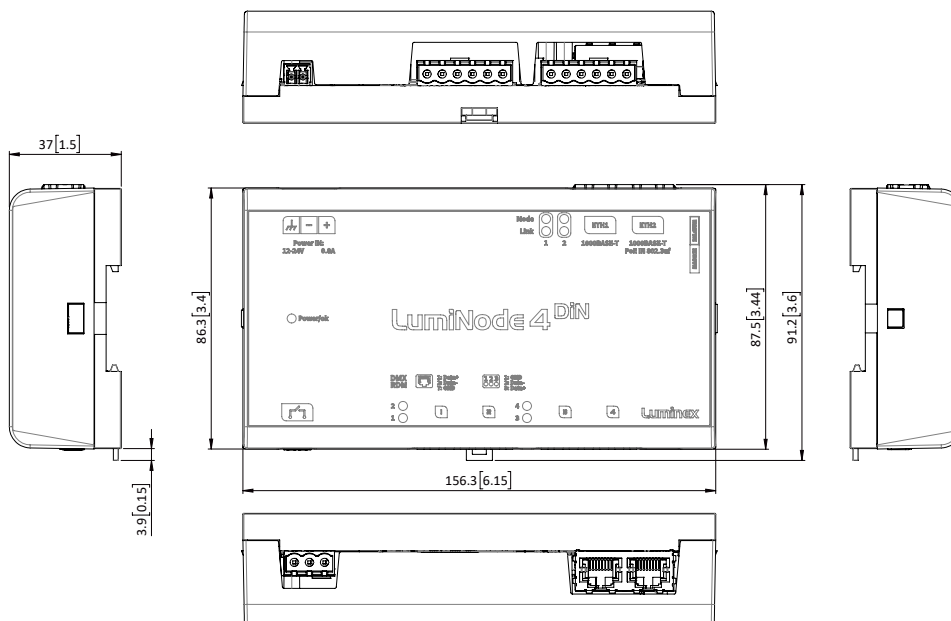
CONNECTIVITY	
DMX/RDM	4x RJ45-DMX (ANSI E1.11 – 2008 (R2018))/ 4x3-pin plugable terminal block
Network	2 x gigabit RJ45
Contact Closure	1x2-pin plugable terminal block
Power	1x3-pin plugable terminal block PoE-802.3af (Class 0)
DMX FEATURES	
Supported protocols	DMX512 (1986 & 1990) DMX512-A RDM ANSI E1.20-2010"
DMX port direction	Input or output (configurable)
DMX port isolation	Optical and galvanic isolation per port
DMX timing	Framerate: 10-40fps Break: 176-352µs
ETHERNET FEATURES	
Supported protocols	Art-Net™ (1-4) sACN ANSI E1.31-2018 RTTrPL (BlackTraX) KiNET v1, v2
Port speed	10/100/1000Mbps
Port sensing	Auto-negotiation MDI / MDIX
Split management interface	Yes
Groups (VLAN) support	Yes
ADDITIONAL FEATURES	
Processing engine	6
Merging	Yes (HTP, LTP, Xfade, Backup, Switch, Custom)
Softpatch	Yes
Master/Limit	Yes
Trigger system	Yes
Reroute function	Yes
Profile manager	Yes
Snapshot	Yes
Monitoring Software	LumiNet Monitor, Araneo
DMX redundancy	Yes
STATUS REPORTING	
Display & jog	No
Ethernet port connection	link/activity LED Group RGB LED
DMX port	DMX/RDM RGB LED
POWER / PoE	
Power input	12-24VDC PoE-802.3af (Class 0)
Power consumption	Max 10W
Power redundancy	Yes

MANAGEMENT	
Configuration	Built in Web server Documented Web API
ENVIRONMENTAL	
Operating temperature	-10 to +60°C
Storage temperature	-10 to +70°C
Humidity(non condensing)	5 to 95% RH
MECHANICAL	
Enclosure	Robust plastic housing
Dimensions (W x D x H)	156,30 x 86 x 35,8 mm
Weight	0,27 kg
Mounting type	Din Rail IEC/EN 60715 mount
Packaging	305 x 215 x 110 mm
APPROVALS	
Electromagnetic emissions and immunity	EN55032 class A
	EN55035
	EN61000-3-2
	EN61000-3-3
	EN61000-4-2
	EN61000-4-4
	EN61000-4-5
	EN61000-4-6
	EN61000-4-8
	EN61000-4-11
	FCC Part 15 CFR 47 class A
	ICES-003 Issue 6
Safety approvals	IEC 62368-1
	EN 62368-1
	UL 62368-1
	CAN/CSA-C22.2 No. 62368-1
	CE
Certificates	cSGSus Mark
	CE
	CB certificate
GREEN	
	RoHS
	REACH

LUMINODE 4 DIN-RJ45



LUMINODE 4 DIN-TERMINAL BLOCK



LUMINODE 4 DIN-RJ45



LUMINODE 4 DIN-TERMINAL BLOCK

