

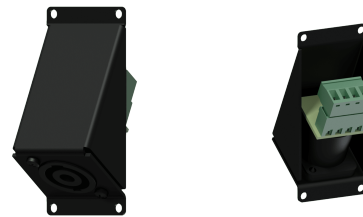
## CASY 1 space angled with male SpeakON to 4-pin terminal block

### Highlights:

- 1.5 mm thick cold rolled steel frame
- Structured and scratch resistant black powder coating
- Assembly screws included
- Compatible with any CASY chassis
- SpeakON connectors by Neutrik
- Solderless connections
- Flexible system for system integration & connectivity

### Product information:

The CASY143 is a CASY module with an angled male NL4MP SpeakON connector on the front side and a 4-pin terminal block connector on the back side. This flexible structure for system integration & connectivity can easily be implemented in a wide variety of CASY chassis.




### Product Features:

Dimensions	1.40 x 3.23 " (W x H)	
Weight	0.19 lb	
Connection	SpeakON (angled) (NL4MP) to 4-pin terminal block	
Module	Space	1

### Variants:

- CASY143/B - Black version

	<p><b>CASY143</b></p> <p><b>Weight:</b></p> <p>84 g</p>	<p><b>Product description:</b></p> <p>CASY 1 SPACE ANGLED WITH SPEAKON TO 4-PIN TB</p> <p><b>Outer dimensions:</b> (w x h x d)</p> <p>35,5 x 82,1 x 52</p>	<p><b>Unit height:</b></p> <p>2 HE</p>
	