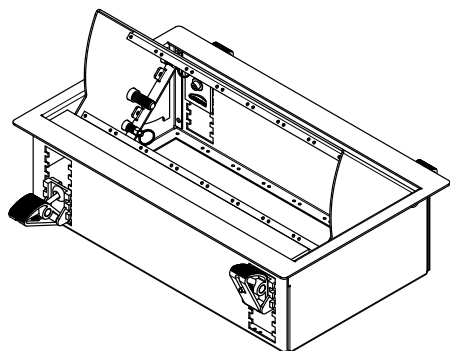
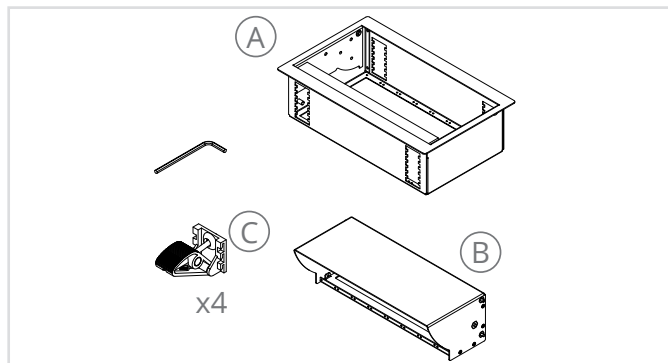


INSTALLATION MANUAL

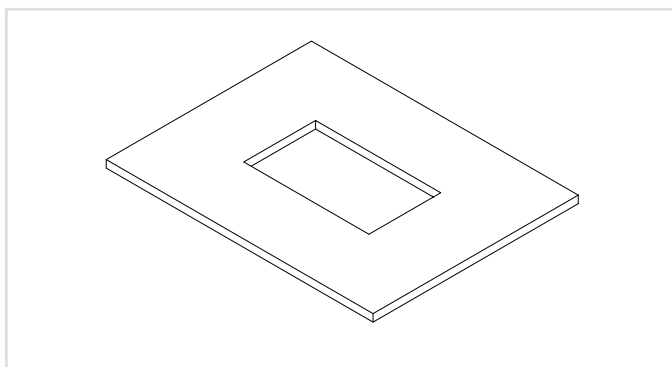
CASY024 AND CASY028 IN-TABLE MOUNT BOXES



PARTS AND ACCESSORIES



STEP 1

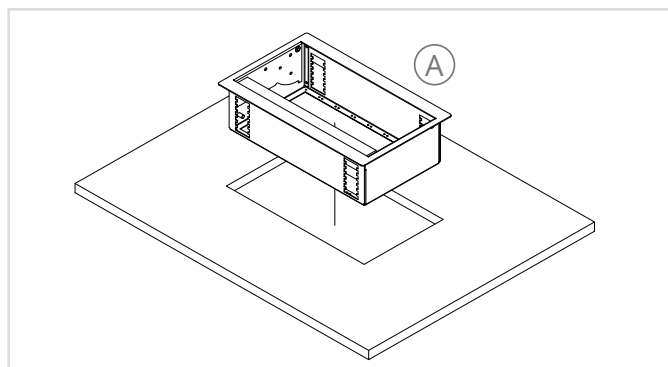


Cut a hole on the desired mounting location. Make sure the dimensions are matching the cut-out measurement for the installing in-table mount box.

- CASY024 = 161 x 175 mm (W x H)
- CASY028 = 305 x 175 mm (W x H)

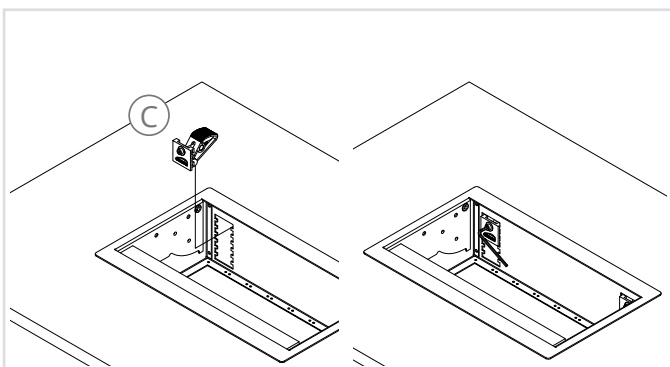
Double check if there are no cables or other obstructions behind the mounting surface before making the cut-out.

STEP 2



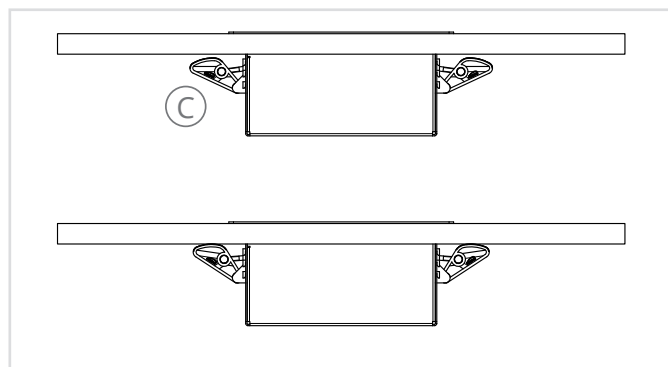
Place the in-table mount box in the cut-out, making sure it is facing the right direction. It can be mounted in surfaces with a thickness ranging from 6 to 50 mm.

STEP 3



Secure the in-table mounting box in place by installing the BlindSnap™ clamp and tightening the bolt using the included Allen key.

STEP 4



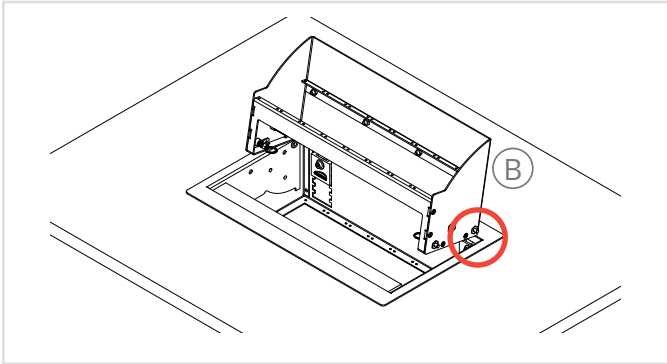
Tightening the bolt will press the clamps against the mounting surface and secure the in-table mounting box in place.

INSTALLATION MANUAL

CASY024 AND CASY028 IN-TABLE MOUNT BOXES



STEP 5

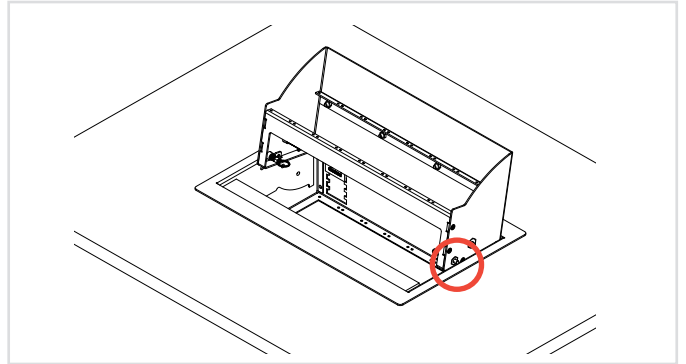


After installing your desired CASY modules, the module insert can be mounted in the box.

To do this, three sets of spring loaded pins have to be pushed in consecutively. For this, a small flat head screwdriver can be used.

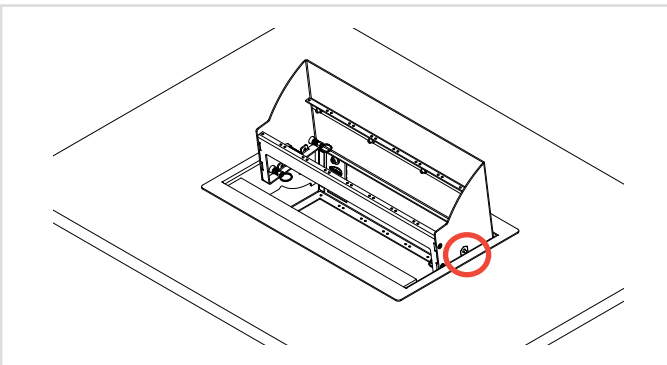
The first set of pins work as a hinge for the module insert, push them in and mount the lid in an upright position as shown on the image.

STEP 6



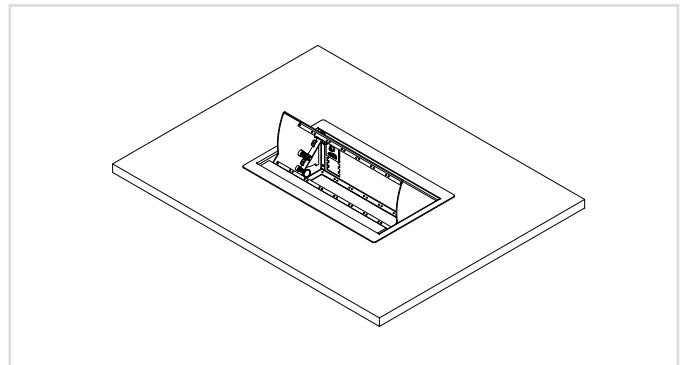
Another set of spring loaded pins keeps the lid from closing, push in these pins and close the lid until the next set of pins touches the box.

STEP 7



Push in the last pins and close the lid until these pins snap in place.

STEP 8



The in-table mounting box is now installed and ready for use.

INSTALLATION MANUAL

CASY024 AND CASY028 IN-TABLE MOUNT BOXES



PRECAUTIONS

- ALWAYS KEEP THESE INSTRUCTIONS FOR FUTURE REFERENCE. NEVER THROW THEM AWAY
- ALWAYS HANDLE THIS UNIT WITH CARE
- HEED ALL WARNINGS AND FOLLOW ALL INSTRUCTIONS
- THIS UNIT IS DEVELOPED FOR INDOOR USE ONLY. DO NOT USE IT OUTDOORS
- ONLY USE ATTACHMENTS & ACCESSORIES SPECIFIED BY THE MANUFACTURER.
- DO NOT USE ANY OTHER METHOD THAN SPECIFIED TO MOUNT THE IN-TABLE MOUNT BOX.
- CAREFULLY CHECK THE UNIT'S CONDITION AFTER UNPACKING.
- IF THERE IS ANY DAMAGE TO THE CARTON BOX OR THE UNIT ITSELF, INFORM YOUR VENDOR IMMEDIATELY.

CAUTION - SERVICING

This product contains no user serviceable parts. Refer all servicing to qualified service personnel. Do not perform any servicing (unless you are qualified to do so.)

EC DECLARATION OF CONFORMITY

This product conforms to all the essential requirements and further relevant specifications described in following directives: 2011/65/EU (RoHS2) and 2011/65/EU (REACH)

WASTE OF ELECTRICAL AND ELECTRONIC EQUIPMENT (WEEE)

The WEEE marking indicates that this product should not be disposed with regular household waste at the end of its product life. This regulation is created to protect both the environment and human health.

This product is developed and manufactured with high quality materials and components which can be recycled and/or reused. Please dispose of this product at your local collection point or recycling center for electrical and electronic waste. Do this to make sure that the product is recycled in an environmental friendly way, and help to protect the environment in which we all live.