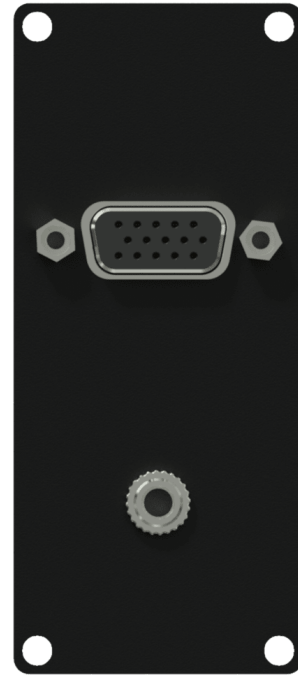


Highlights:

- 1.5 mm thick cold rolled steel frame
- Structured and scratch resistant black powder coating
- Assembly screws included
- Compatible with any CASY chassis
- Solderless connections
- Flexible system for system integration & connectivity

Product information:

The CASY151 is fitted with female VGA connector on both sides of the module. The front side is also fitted with a female 3.5mm mini jack connector on the front that leads to a pigtail female 3.5 mm mini jack on the back. This flexible structure for system integration & connectivity can easily be implemented in a wide variety of CASY chassis.




Product Features:

Dimensions	1.40 x 3.23 " (W x H)	
Weight	0.12 lb	
Connection	VGA & 3.5 mm jack gender	
Module	Space	1

Variants:

- CASY151/B - Black version

	<p>CASY151</p> <p>Weight:</p> <p>53 g</p>			<p>Outer dimensions: (w x h x d)</p> <p>35,5 x 82,1 x 41,7</p>	<p>Unit height:</p> <p>2 HE</p>
