

### Highlights:

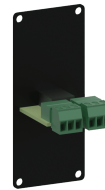
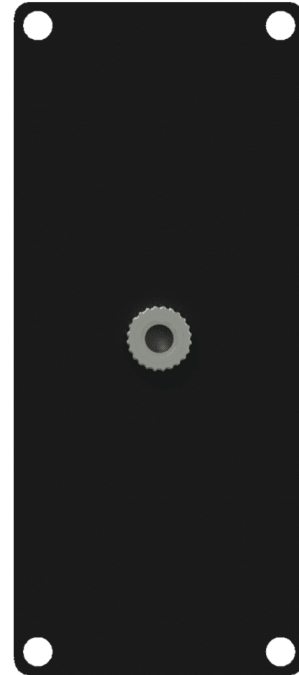
---

- 1.5 mm thick cold rolled steel frame
- Structured and scratch resistant black powder coating
- Assembly screws included
- Compatible with any CASY chassis
- Solderless connections
- Flexible system for system integration & connectivity

### Product information:

---

The CASY136 is a CASY module with a female 3.5 mm mini jack connector on the front side of the module and a 3-pin terminal connector on the back. This flexible structure for system integration & connectivity can easily be implemented in a wide variety of CASY chassis.



### Product Features:


---

Dimensions	1.40 x 3.23 " (W x H)	
Weight	0.095 lb	
Connection	3.5 mm jack female to 3-pin terminal block	
Module	Space	1

### Variants:

---

- CASY136/B - Black

	<b>CASY136</b>			<b>Product description:</b> CASY 1 SPACE WITH 3.5MM JACK TO 3-PIN TB
<b>Weight:</b> 43 g	<b>Outer dimensions:</b> (w x h x d) 35,5 x 82,1 x 40,5	<b>Unit height:</b> 2 HE		

