

**NEW**

**LumiNode**

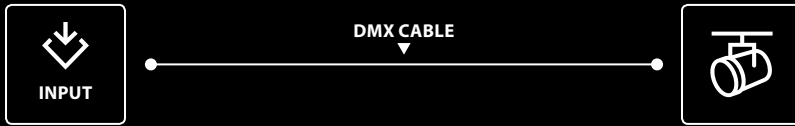
#WhereTraditionMeetsInnovation

**COMING  
JUNE 2019**

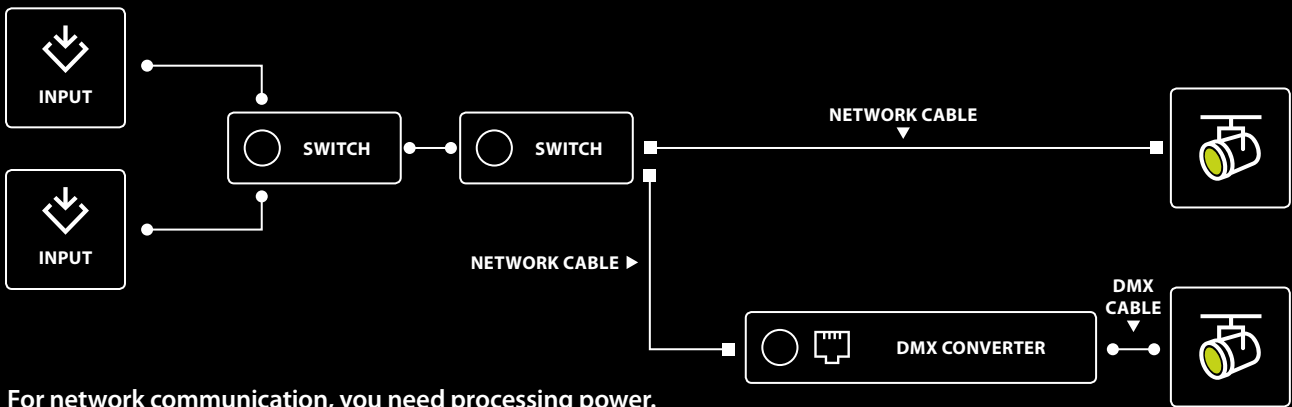


**LUMINEX**  
NETWORK INTELLIGENCE

## IN THE BEGINNING THERE WAS ONLY DMX-COMMUNICATION



## TODAY THERE IS COMBINED DMX- & NETWORK-COMMUNICATION



For network communication, you need processing power. Today processing is only related to a DMX port.

### THIS MEANS:

- You have limited merging, controlling, routing possibilities etc.
- You only have two input sources that can be merged together.

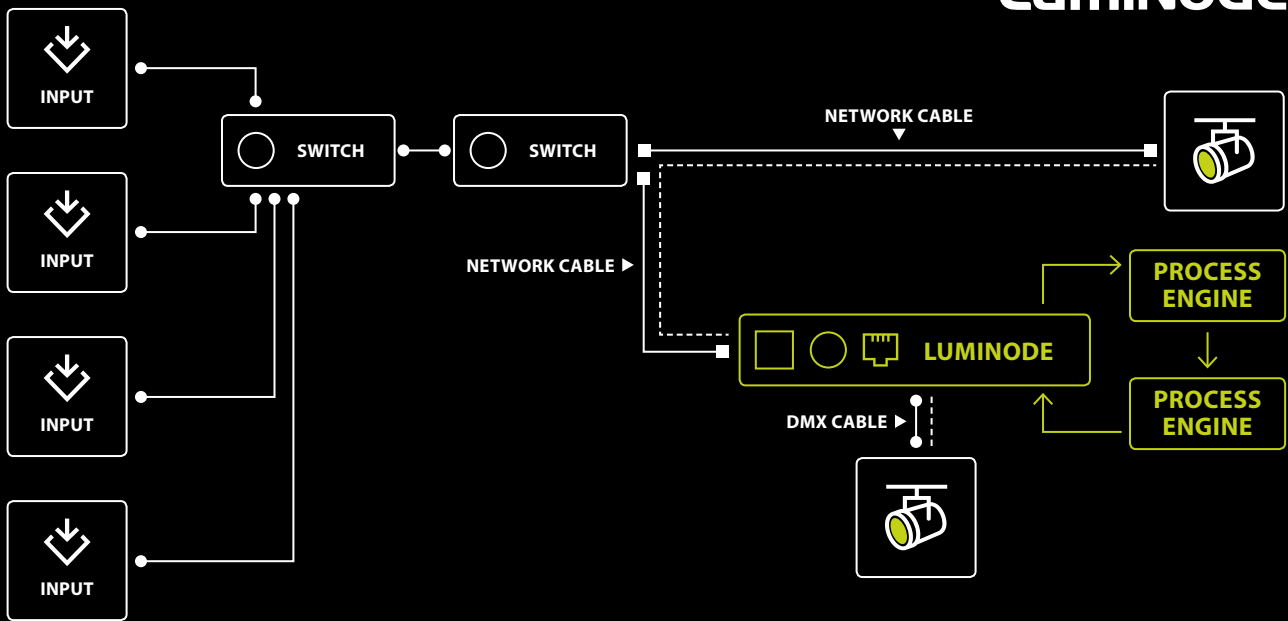


# AND THIS IS WHERE LUMINODE STEPS IN

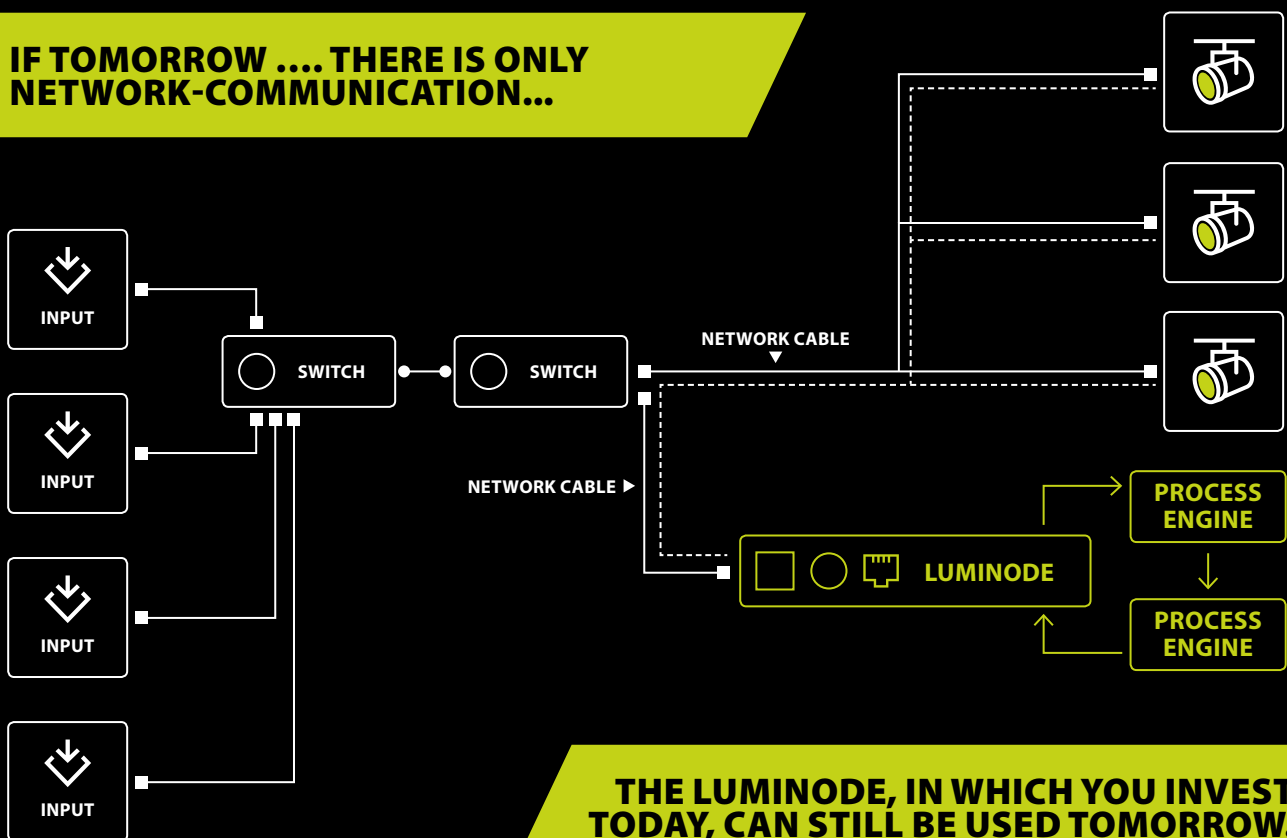
## WITH LUMINODE YOU HAVE UP TO 16 PROCESSING ENGINES & UP TO 12 DMX PORTS

### THIS MEANS:

- More processing capacity = more flexibility for your shows.
- Possibility to merge up to 4 input sources.
- Easy to adapt to future protocols.



**IF TOMORROW .... THERE IS ONLY NETWORK-COMMUNICATION...**



**THE LUMINODE, IN WHICH YOU INVEST TODAY, CAN STILL BE USED TOMORROW.**

**LUMINODE, BUILT FOR TODAY,  
DESIGNED FOR TOMORROW**



# LUMINODE 1

---

- USB port that works as an ethernet dongle = unique
- 2 processing engines & 1 DMX port
- A “must have” product for every technician. Ideal in combination with any network-based lighting control software or with a Luminex RDM device and LumiNet Monitor. No drivers needed, just connect for usage

## TECHNICAL DETAILS

---

- Small formfactor for personal use and easy to carry
- USB to Ethernet dongle
- 1 x USB B-connector USB 2.0
- 1 x DMX/RDM 5-pin connector, fully isolated
- 1 x EtherCon network port @ 1Gbps
- PoE powered (IEEE 802.3af)
- 1 x status LED indication
- 1 x DMX/RDM LED indication
- Robust steel enclosure with protection ears
- Hole for Kensington lock



# LUMINODE 2

---

- Ideal to use on any fly-bar in a fixed infrastructure or to be wall mounted
- 4 processing engines and 2 DMX ports

## TECHNICAL DETAILS

---

- Wall mountable
- Easy mounting for any fly-bar applications
- 2 x DMX/RDM 5-pin connector, fully isolated
- 1 x RGB LED per DMX/RDM port for activity indication
- 2 x EtherCon network port @ 1Gbps with integrated switch
- Link/Speed LED indication per Ethernet port
- RGB Mode LED indication per Ethernet port
- Contact closure as trigger
- PoE powered (IEEE 802.3af)
- Robust steel enclosure



# LUMINODE 4

- LumiNode 4 is a versatile 4 port node. You can mount one or two units in a 1U rack space
- The unit is robust and thus ideal for touring applications
- 6 processing engines and 4 DMX ports
- The M10 insert and safety ear make it easy to mount it safely on a truss

## TECHNICAL DETAILS

- Rack or truss mountable half 19" unit
- 4 x DMX/RDM 5-pin connector, fully isolated
- 1 x RGB LED per DMX/RDM port for activity indication
- 2 x EtherCon network port @ 1Gbps with integrated switch
- Link/Speed LED indication per Ethernet port
- RGB Mode LED indication per Ethernet port
- Color display and control jog for fast configuration
- Contact closure as trigger
- PoE powered (IEEE 802.3af)
- Internal universal power supply with Neutrik PowerCon True1
- Robust steel enclosure with M10 insert and protection ears



# LUMINODE 12

- LumiNode 12 is the ideal full 19" rack unit that offers you the highest density of DMX/RDM ports on the market
- 16 processing engines and 12 DMX ports



## TECHNICAL DETAILS

- Full 19" high density rack unit
- 12 x DMX/RDM 5-pin connector, fully isolated
- 1 x RGB LED per DMX/RDM port for activity indication
- 2 x EtherCon network port @ 1Gbps with integrated switch
- Link/Speed LED indication per Ethernet port
- RGB Mode LED indication per Ethernet port
- Color display and control jog for fast configuration
- Contact closure as trigger
- PoE powered (IEEE 802.3af)
- Internal universal power supply with Neutrik PowerCon True1
- Robust steel enclosure with 2 rack ears





## OUR GOAL = YOUR SUCCESS

At Luminex, we are committed to providing you with the best products and service. We believe in going the extra mile to make it as easy as possible for you to design and install your lighting, audio and video infrastructure.

We want to make sure that we deliver equipment that simplifies and speeds up your projects without compromising on quality. Our development team works to provide designs that are professional in every aspect, down to the look and feel. Every unit is thoroughly tested and proven before it leaves our factory.

Using our products should be a hassle-free experience. To ensure this we have a support team on hand to answer all your questions and resolve any issues you might encounter. We will do our utmost to provide you with a quick and accurate solution.

