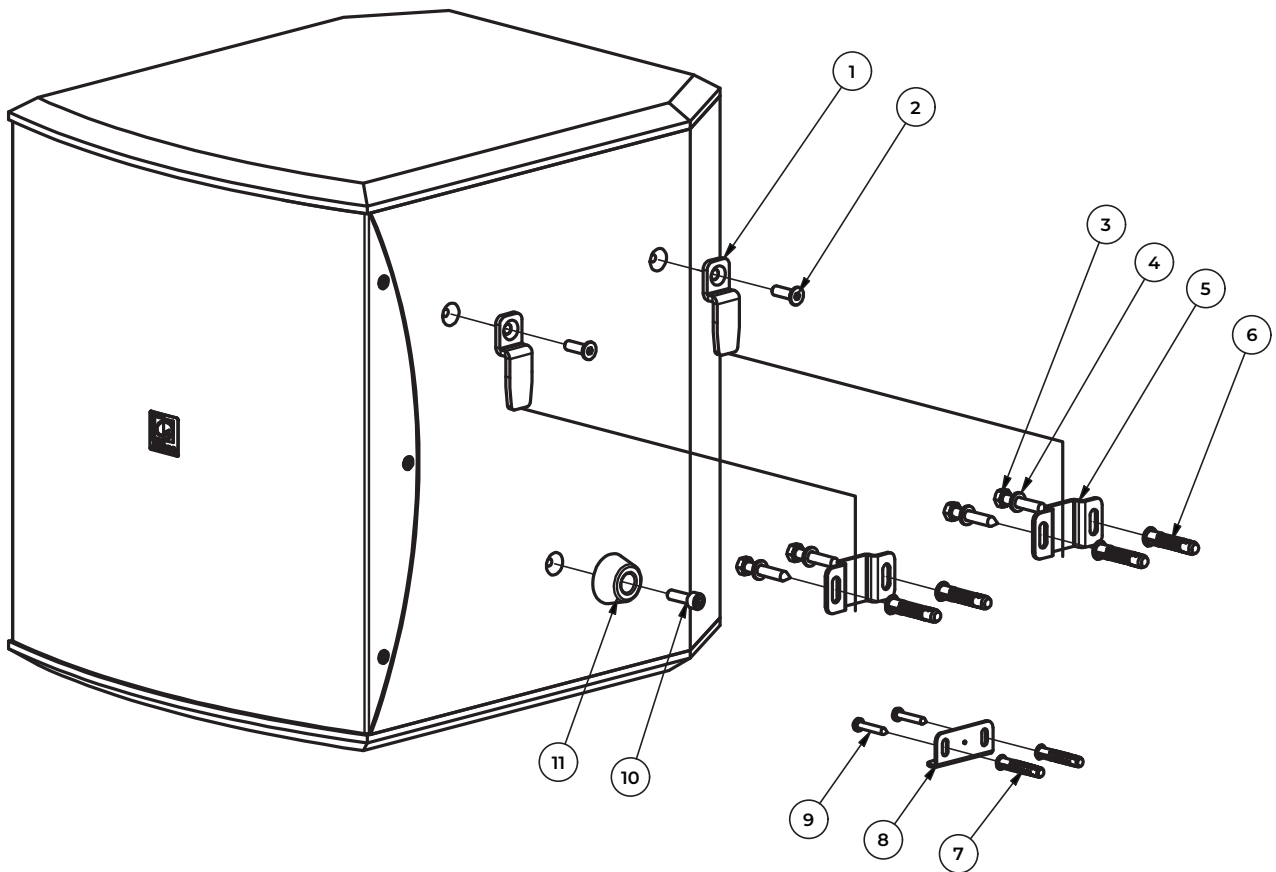


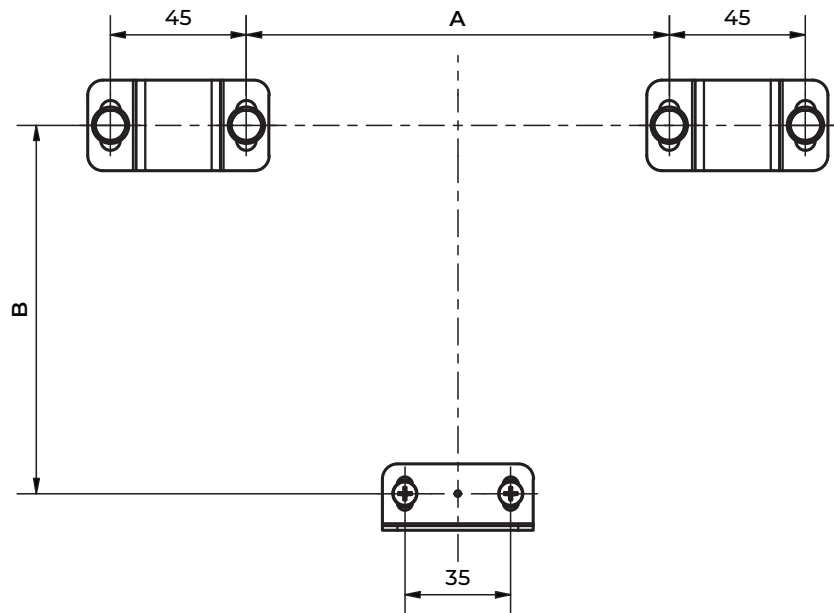
The MBK102 is a mounting bracket that can be used to mount different kinds of bass cabinets with a limited size and weight. The simple, nevertheless very efficient principle provides an easy and quick installation. It is based on two protruding wall brackets and an L-bracket which have to be installed against the wall on the desired location. Two metal hooks and a rubber foot have to be fixed to the provided points on the bass cabinet, using the included screws. Subsequently, the metal hooks have to be hooked into the protruding part of the wall brackets while the rubber foot slides over the L-bracket, preventing accidental lift-out of the cabinet.

Installation:



PARTS LIST		
ITEM	QTY	DESCRIPTION
1	2	Speaker bracket
2	2	Countersunk hex head screw - M6 x 20
3	4	Hex wood screw - 6 x 50
4	4	Washer - M6
5	2	Wall bracket
6	4	Wall plug - dia 8 x 40
7	2	Wall plug - dia 6 x 35
8	1	Wall bracket - L-bracket
9	2	Round head screw - 4 x 25
10	1	Hex socket head screw - M6 x 20
11	1	Rubber foot

Mounting dimensions:



	BASO10	BASO12	BASO15
A	140 mm	215 mm	235 mm
B	122 mm	225 mm	275 mm

PRECAUTIONS

- KEEP THESE INSTRUCTIONS FOR FUTURE REFERENCE. NEVER THROW THEM AWAY
- ALWAYS HANDLE THIS UNIT WITH CARE
- CLEAN ONLY WITH DRY CLOTH
- HEED ALL WARNINGS AND FOLLOW ALL INSTRUCTIONS
- NEVER EXPOSE THIS EQUIPMENT TO RAIN, MOISTURE, ANY DRIPPING OR SPLASHING LIQUID.
- DO NOT PLACE THIS UNIT IN ENVIRONMENTS WITH A HIGH LEVEL OF DUST, HEAT, MOISTURE OR VIBRATION
- DO NOT USE HYDROCARBON BASED SOLVENTS, LUBRICANTS OR CLEANING AGENTS OF ANY TYPE ON OR AROUND THE DEVICE AND MOUNTING HARDWARE DURING THE INSTALLATION. THE USE OF THESE PRODUCTS ON OR AROUND THE MOUNTING ANCHORS AND SCREWS CAN LEAD TO DEGRADATION OF THE PLASTIC MATERIAL, POSSIBLY RESULTING IN CRACKING AND PREMATURE FAILURE OF THE PRODUCT.
- THIS UNIT IS DEVELOPED FOR INDOOR USE ONLY. DO NOT USE IT OUTDOORS
- ONLY USE ATTACHMENTS & ACCESSORIES SPECIFIED BY THE MANUFACTURER.
- ONLY INSTALL THE SPEAKER IN LOCATIONS THAT CAN STRUCTURALLY SUPPORT THE WEIGHT OF THE SPEAKER. IGNORING THIS CAN BRING THE SPEAKER DOWN.
- DO NOT USE ANY OTHER METHOD THAN SPECIFIED TO MOUNT THE SPEAKER. IF EXTREME FORCE IS APPLIED TO THE SPEAKER, IT COULD FALL DOWN
- ATTACH A SAFETY WIRE TO THE SPEAKER WHEN IT IS MOUNTED HIGH UP. ONLY USE INDUSTRY-ACCEPTED RIGGING TOOLS AND METHODS
- CAREFULLY CHECK THE UNIT'S CONDITION AFTER UNPACKING.
- IF THERE IS ANY DAMAGE TO THE CARTON BOX OR THE UNIT ITSELF, INFORM YOUR VENDOR IMMEDIATELY.
- ALWAYS FOLLOW THE LOCAL REGULATIONS AND REQUIREMENTS REGARDING INSTALLATION, SUSPENSION AND CONNECTION OF THIS LOUDSPEAKER. EVEN WHEN OTHERWISE SPECIFIED IN THIS DOCUMENT.
- IT'S THE INSTALLERS RESPONSIBILITY TO ENSURE INSTALLATION OF THE LOUDSPEAKERS AND MOUNTING SYSTEMS IS PERFORMED IN ACCORDANCE WITH ALL APPLICABLE CODES
- UNSAFE MOUNTING OR OVERHEAD SUSPENSION ON ANY HEAVY LOAD CAN RESULT IN SERIOUS INJURY OR DEATH, AND PROPERTY DAMAGE. IT'S THE INSTALLERS RESPONSIBILITY TO EVALUATE THE RELIABILITY OF ANY MOUNTING METHOD USED FOR THEIR APPLICATIONS
- THE INSTALLATION OF THIS LOUDSPEAKER SHALL BE DONE BY QUALIFIED PERSONNEL ONLY.
- DO NOT MAKE UNAUTHORIZED ALTERATIONS TO THE PRODUCT.

CAUTION - SERVICING

This product contains no user serviceable parts. Refer all servicing to qualified service personnel. Do not perform any servicing (unless you are qualified to do so).

EC DECLARATION OF CONFORMITY

This product conforms to all the essential requirements and further relevant specifications described in following directives: 2011/65/EU (RoHS2) and 1907/2006 (REACH)