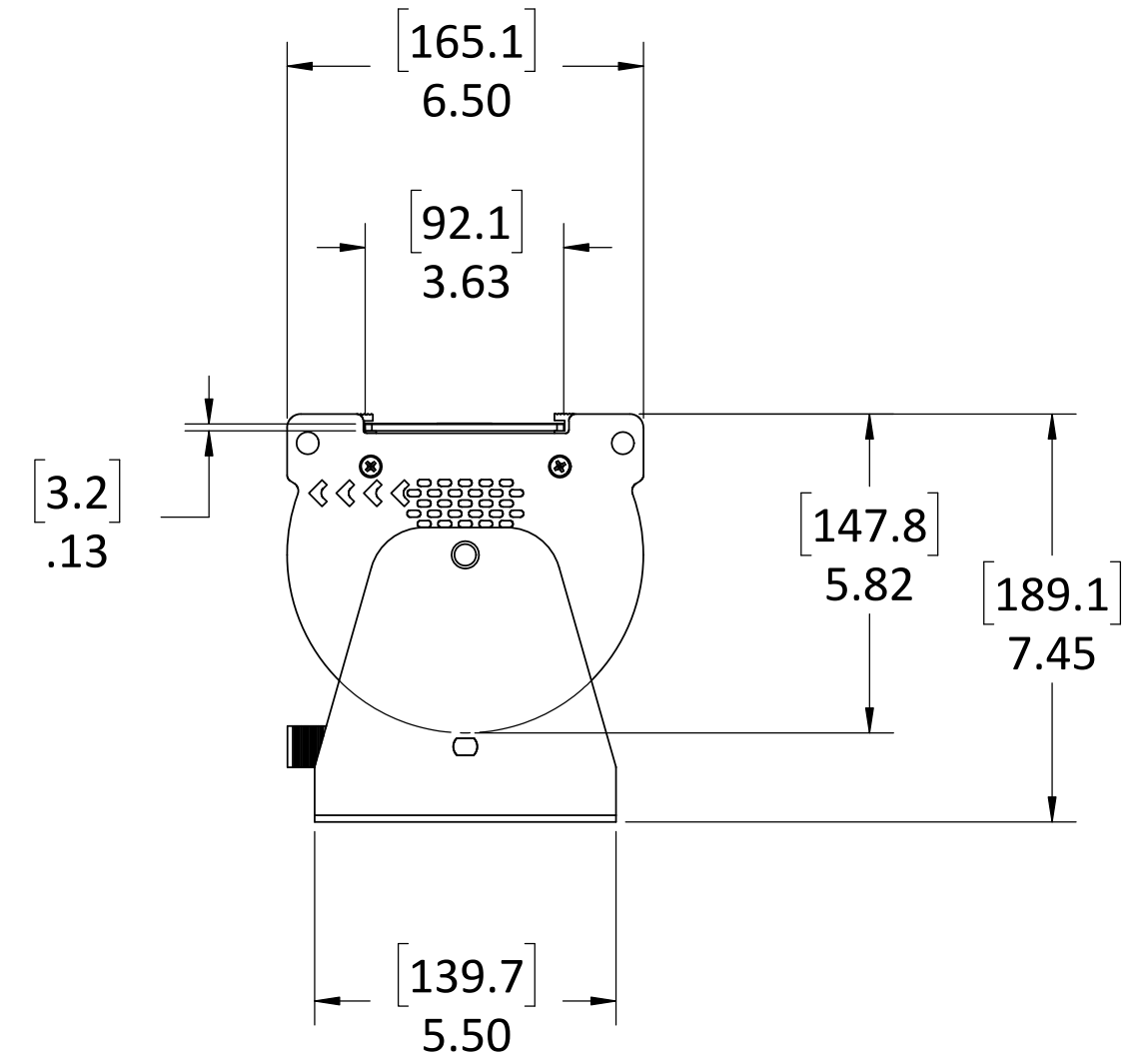
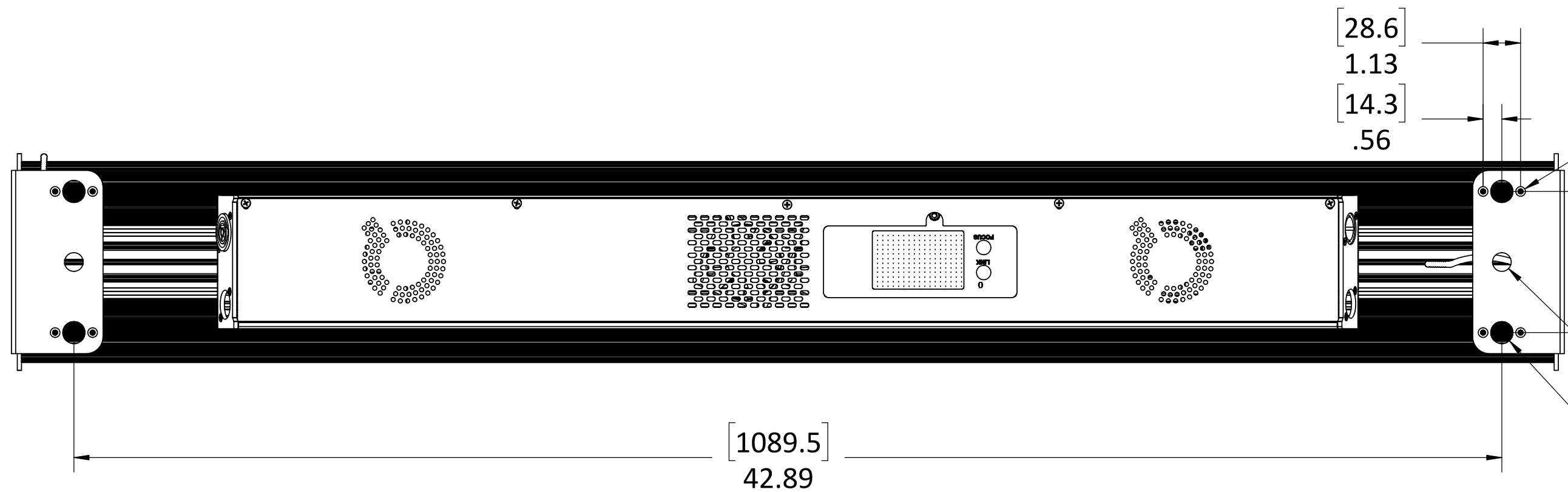
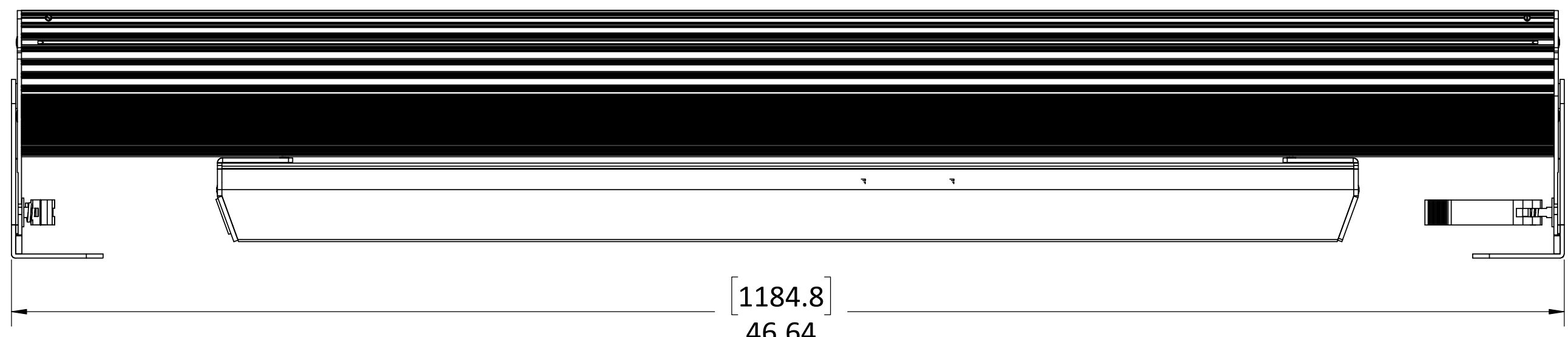
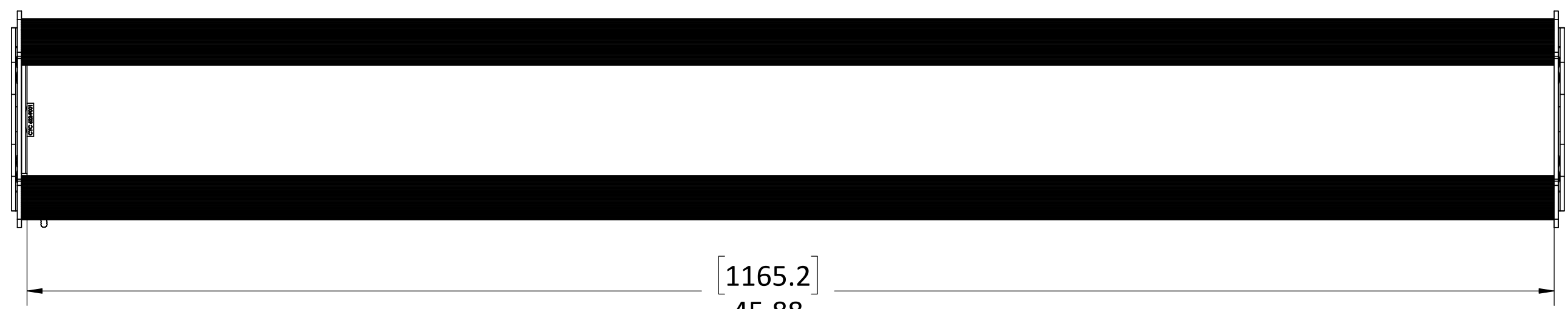


12 11 10 9 8 7 6 5 4 3 2 1

H
G
F
E
D
C
B
A



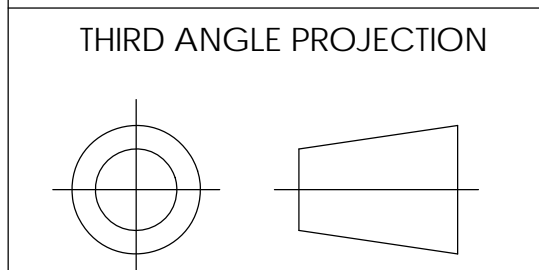
[28.6] 1.13
 [14.3] .56
 8X ϕ .15 [3.9] THRU ALL
 \checkmark ϕ .29 [7.4] X 90°
 [107.6] 4.24
 [14.3] 2X ϕ .56
 4X ϕ .67 [16.9] THRU



ALL INFORMATION CONTAINED IN THIS DOCUMENT IS PROPERTY OF CHROMA-Q AND MAY NOT BE REPRODUCED IN WHOLE OR PART WITHOUT PERMISSION OF CHROMA-Q

UNLESS OTHERWISE SPECIFIED ALL DIMENSIONS ARE IN MM [INCHES]

TITLE:
COLOR FORCE II - 48
LINE DRAWING



SIZE A2	PART NO. 641-2000	REV B
-------------------	-----------------------------	-----------------

SCALE: NTS	WEIGHT:	SHEET 1 OF 1
------------	---------	--------------

12 11 10 9 8 7 6 5 4 3 2 1