

## Highlights:

---

- Solid cold rolled steel construction
- Structured and scratch resistant black powder coating
- 45° rotatable lid
- BlindSnap™ mounting system
- null
- Large access holes on rear
- For desktop and gypsum wall applications

## Product information:

---

The CASY028 is a modular desktop and wall mountable chassis which can be fitted with 8 modules from the CASY range. The flexible and modular structure ensures maximum versatility, allowing the system to be adapted to project specific requirements. Possibilities range from audio, video and data interconnection to power distribution, control panels, power supplies and many more.

The cold rolled steel construction features pre-threaded hole inserts allowing module installation with a maximum of 8 units with a built-in depth up to 68.5 mm. The module insert can be mounted preassembled eliminating the risk of dropping screws or parts inside the wall or table during module mounting. Thanks to the BlindSnap™ mounting system, it can be mounted in any wall or surface without access to the backside. Cable entry with dust protection brush is possible through large access holes on the rear side. The module tray can be opened and closed for a clean installation. The overall construction is finished in a black (/B) or grey (/G) structured and scratch resistant powder coating.



## Product Features:

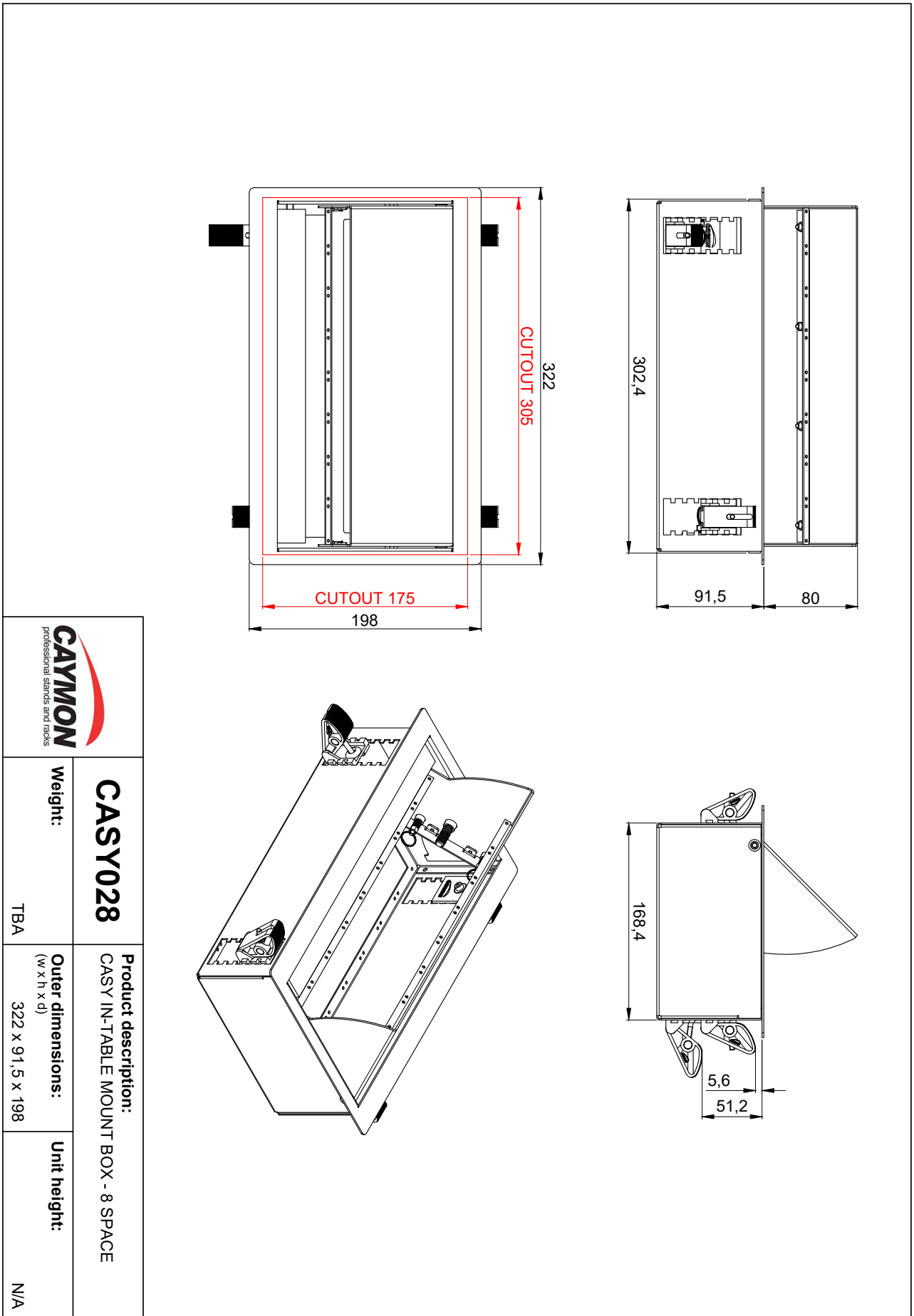
---


Dimensions	12.68 x 7.80 x 3.60 " (W x H x D)	
Max. usable depth	2.70 "	
Weight	5.093 lb	
Construction	Cold rolled steel	
Connection	Large access hole on the rear	
Finish	Structured powder coating	
Colours	Black (RAL9004)	
	Grey (RAL9006)	
Module	Units	8 x front side
Cut-out measurement	12.0079 x 6.89 " (W x H)	
Clamping range	0.20 - 2.36 "	
Mounting	BlindSnap™	

## Variants:

---

- CASY028/B - Black version - RAL9004
- CASY028/G - Grey version - RAL9006



	
<b>Weight:</b> TBA	<b>CASY028</b>
<b>Outer dimensions:</b> (w x h x d) 322 x 91,5 x 198	<b>Product description:</b> CASY IN-TABLE MOUNT BOX - 8 SPACE
<b>Unit height:</b> N/A	